

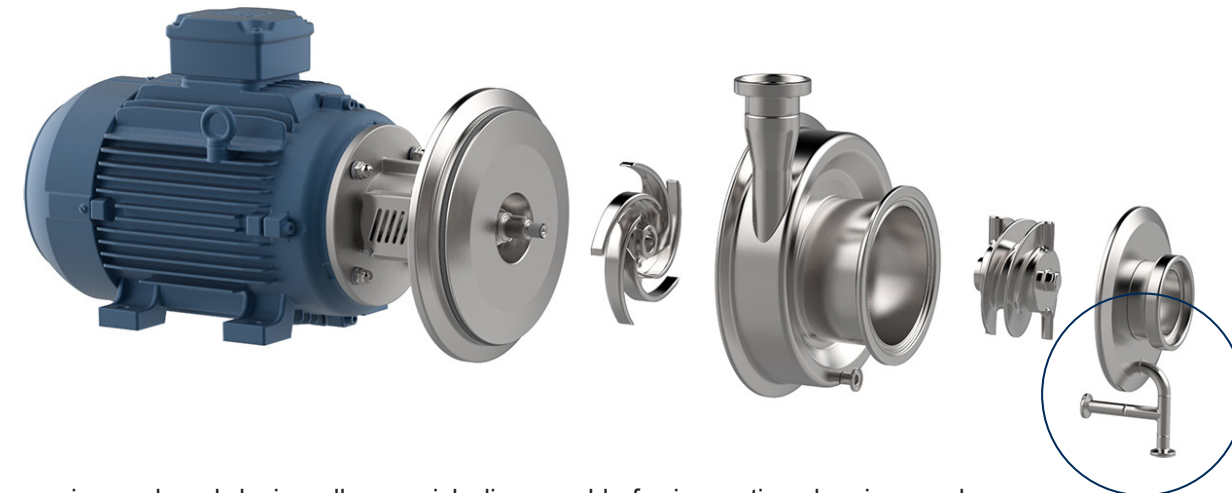
CNH series

Close-coupled construction made entirely from stainless steel with standard motor, shaft with compression locking, internal seal and open impeller based on CN series pumps.

Series of pumps available in two different versions of liquid recirculation:

Version with drainage feature guarantees complete emptying of the pump.

Version without drainage.



The clamp casing and seal design allows quick disassembly for inspection, cleaning and maintenance. Protective motor shroud.



Investment cast double vane rotor for creating the liquid ring inside the front section of the pump body.



Open reverse vane impeller with increased dimensions, designed in accordance with performance optimization criteria.

TECHNICAL DATA CNH series

Flow rate up to 65 m³/h
Head values up to 55 m
Maximum operating pressure 10 bar up to 100°C
Temperature range -10°C + +121°C

Seals:

Hygienic mechanical seals with seat standardized to EN 12756, ISO 3069 standards

Seal materials (FDA, Regulation (EC) No. 1935/2004):

Ethylene propylene (EPDM)
Special fluorocarbon seal
Fluorocarbon seal (FPM - FKM)
FFPM - FFKM

Connections:

DIN - SMS - IDF - BS / RJT - DS - CLAMP and EN 1092-1 PN 16 flanges and, on request, available in compliance with international standards.



C.S.F. Inox S.p.A. Strada per Bibbiano, 7 - 42027 Montecchio E. (RE) - ITALY EU

Ph +39.0522.869911 r.a. - Fx +39.0522.865454 - italia@csf.it - www.csf.it

Export Department • Commercial Étranger • Comercial Extranjero

Ph +39.0522.869922 - Fx +39.0522.869841 - export@csf.it - www.csf.it



All the instructions, data and representations (in whatever way executed) listed in this publication are indicative and do not bind. C.S.F. does not stand surety or undertake any obligation for the utilisation of this document and for the information contained. In particular, it does not guarantee against omissions or errors of the data and drawings here indicated.
Notice that the technical specifications, information and representations in this document are merely indicative and approximate.
C.S.F. INOX reserves the right at any moment and without notice to modify the data, drawings and information indicated in this document.

DCATLONCHGB 28/02/2023



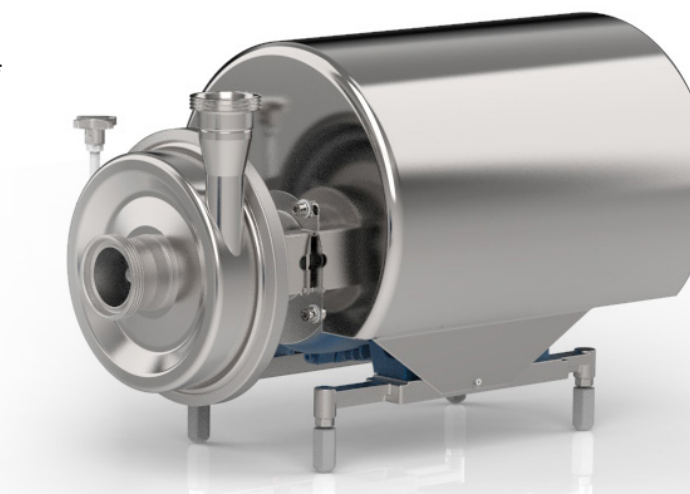
CENTRIFUGAL PUMPS CN series

Closed coupled single-stage centrifugal pumps. A range of 6 models with open impellers, independent shafts and IEC standard motors. Optimised design to ensure high levels of hygiene - The absence of product hold-up and no dead-legs ensures efficient cleaning by standard CIP methods and effective sterilisation by SIP. Wetted parts are in pressed polished plate and investment cast electropolished CF3M 1.4409 / AISI 316L (1.4404) stainless steel. Investment cast and electro-chemical polishing. Internal finishes of 0,5 micron Ra are available on request.

ATEX-compliant versions also available on request.

Applications

Food processing, dairy, beverage, chemical, cosmetics and pharmaceutical industries. The open impeller allows a large range of products such as purified water, juices, creams, ice-cream mix, milk, wine, spirits, whey and WFI to be safely transferred.



SELF-PRIMING CENTRIFUGAL PUMPS CNH series

The CNH series is made up of single-stage centrifugal pumps with self-priming device, axial suction port, open centrifugal impeller and independent shaft.

The self-priming devices is made up of a helical rotor installed in front of the impeller and a rotor chamber which is off-centre in relation to the axis of the centrifugal stage.

The series is made up of range of 2 models with open impeller, independent shaft and standard IEC motor.

Mixed construction: pressed/cast stainless steel - AISI 316L (1.4404) - CF3M (1.4409).

Investment casting and electrochemical polishing treatment guarantee excellent levels of surface finish.

The pump incorporates a self-priming device which gives the centrifugal pump its suction capacity; this component guarantees continuous pump operation in applications handling biphasic fluids.

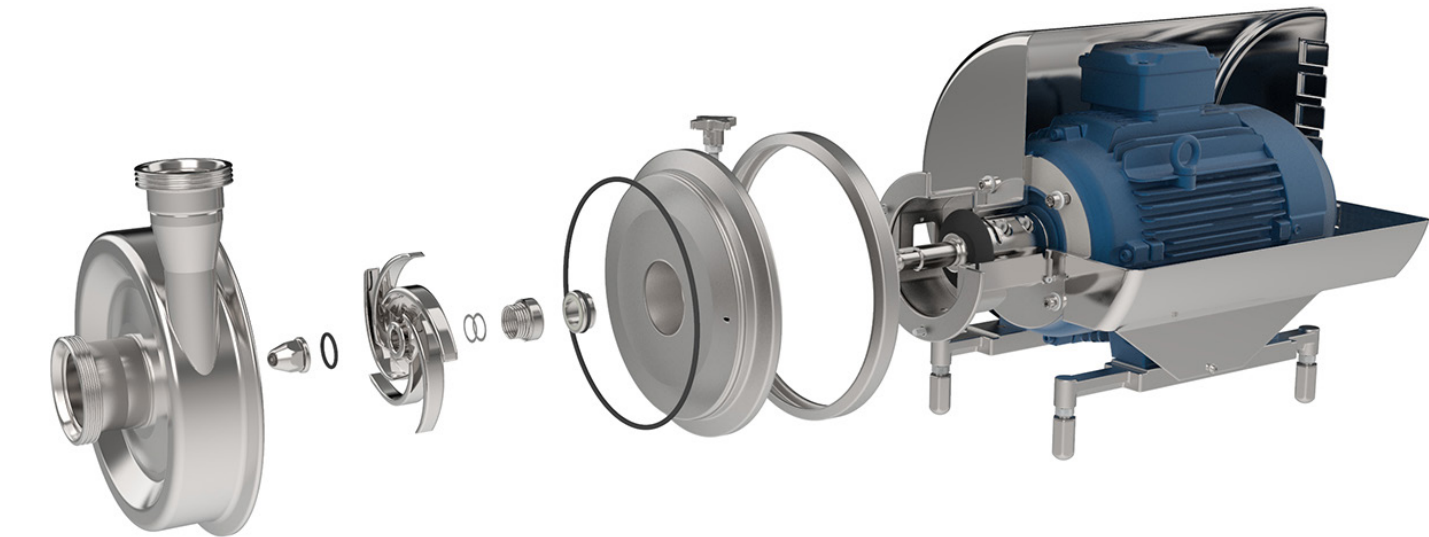
ATEX-compliant versions also available on request.

Applications

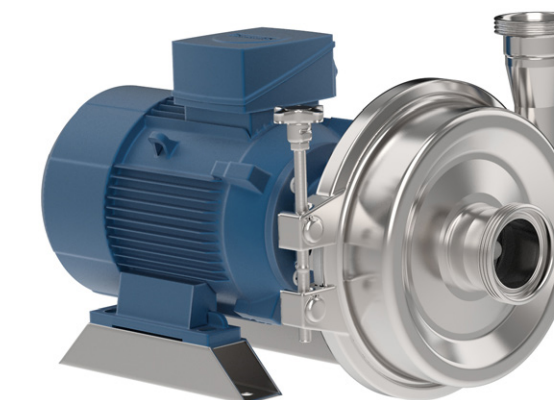
CNH self-priming centrifugal pumps can be used in industrial applications, for example in the food, dairy and beverage sectors, for tank emptying operations, CIP solution recirculation and for handling liquids with a high air content.



CN series



All stainless construction, with standard motor, separate pump shaft with clamp coupling, internal product seal and an open impeller. The clamp casing and seal design allow quick disassembly for inspection, cleaning and maintenance. It also enables the delivery port to be rotated to any position for easy installation and drainage. Motor shroud.



Pump without shroud and stainless steel motor shims.



Open impeller with reversed blades with vast expansion designed to optimize the hydraulic efficiency.

TECHNICAL DATA CN series

Flow rates up to 110 m³/h
Heads up to 60 m
Maximum operating pressure 10 bar up to 100°C
Temperature range -10°C + +121°C
High performance, with low NPSH values.

Mechanical seals:

With seats to EN 12756, ISO 3069 standards.

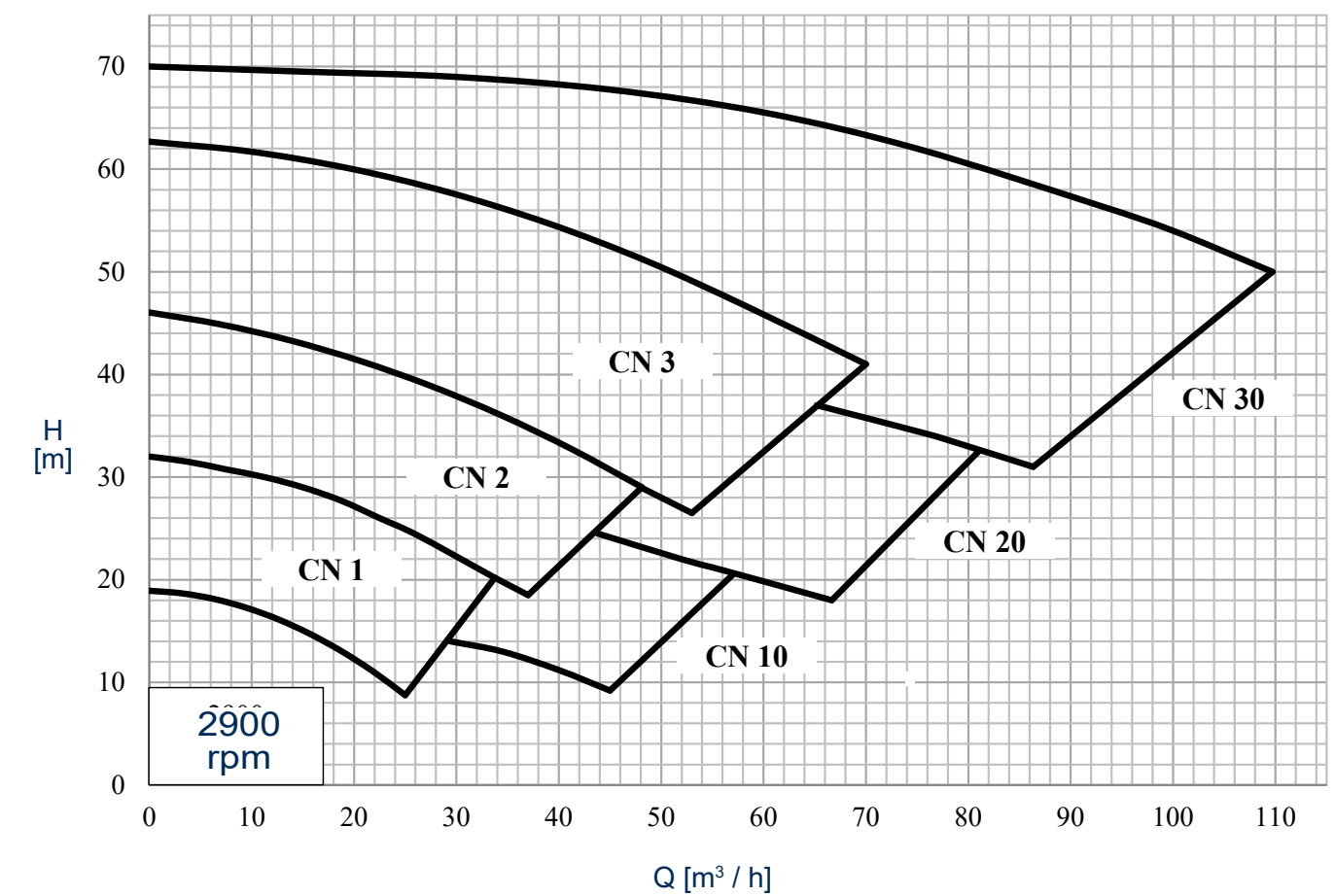
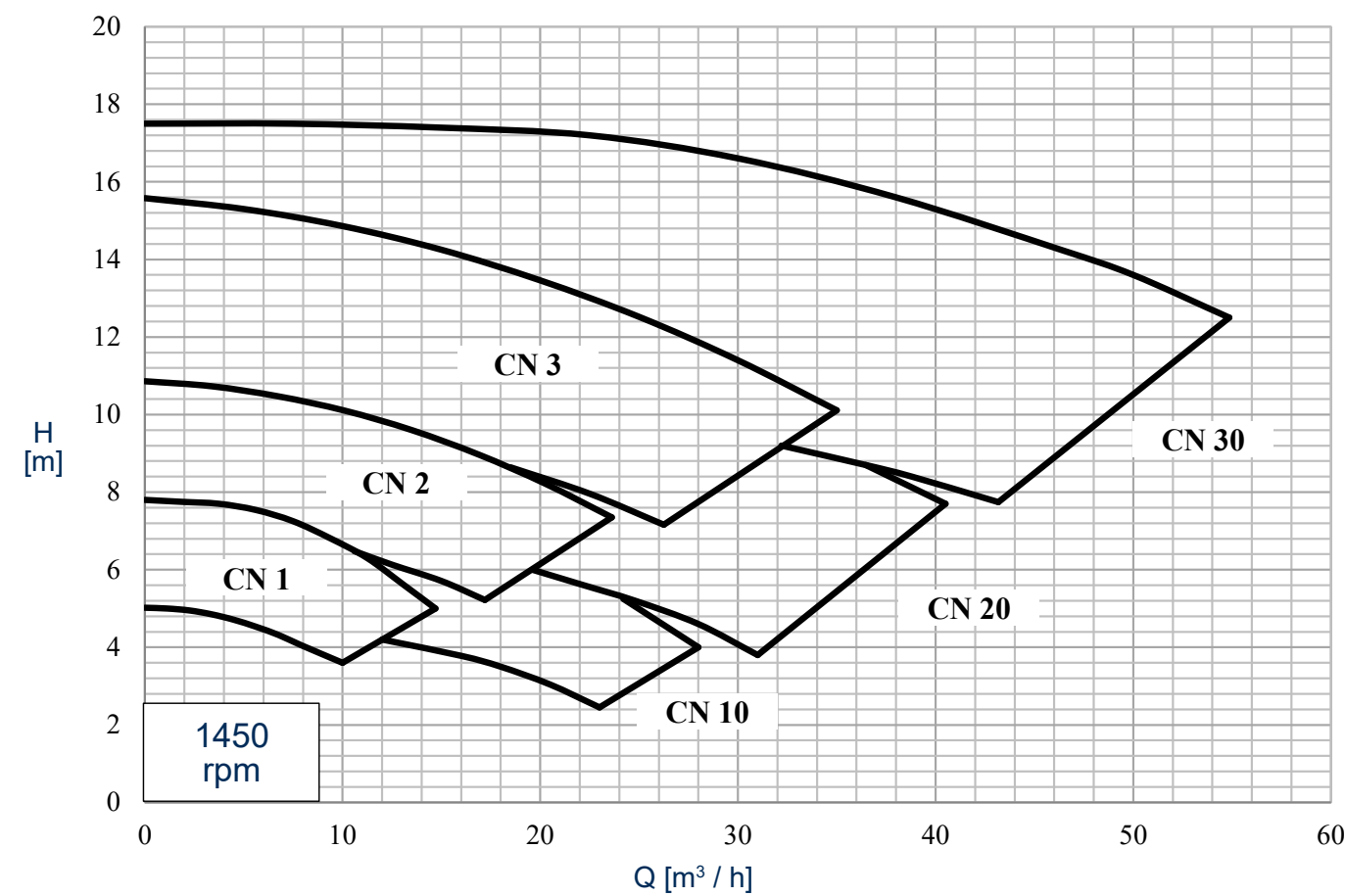
Connections:

DIN - SMS - IDF - BS / RJT - DS - CLAMP and EN1092-1 PN16 flanges suitable for all international standards.

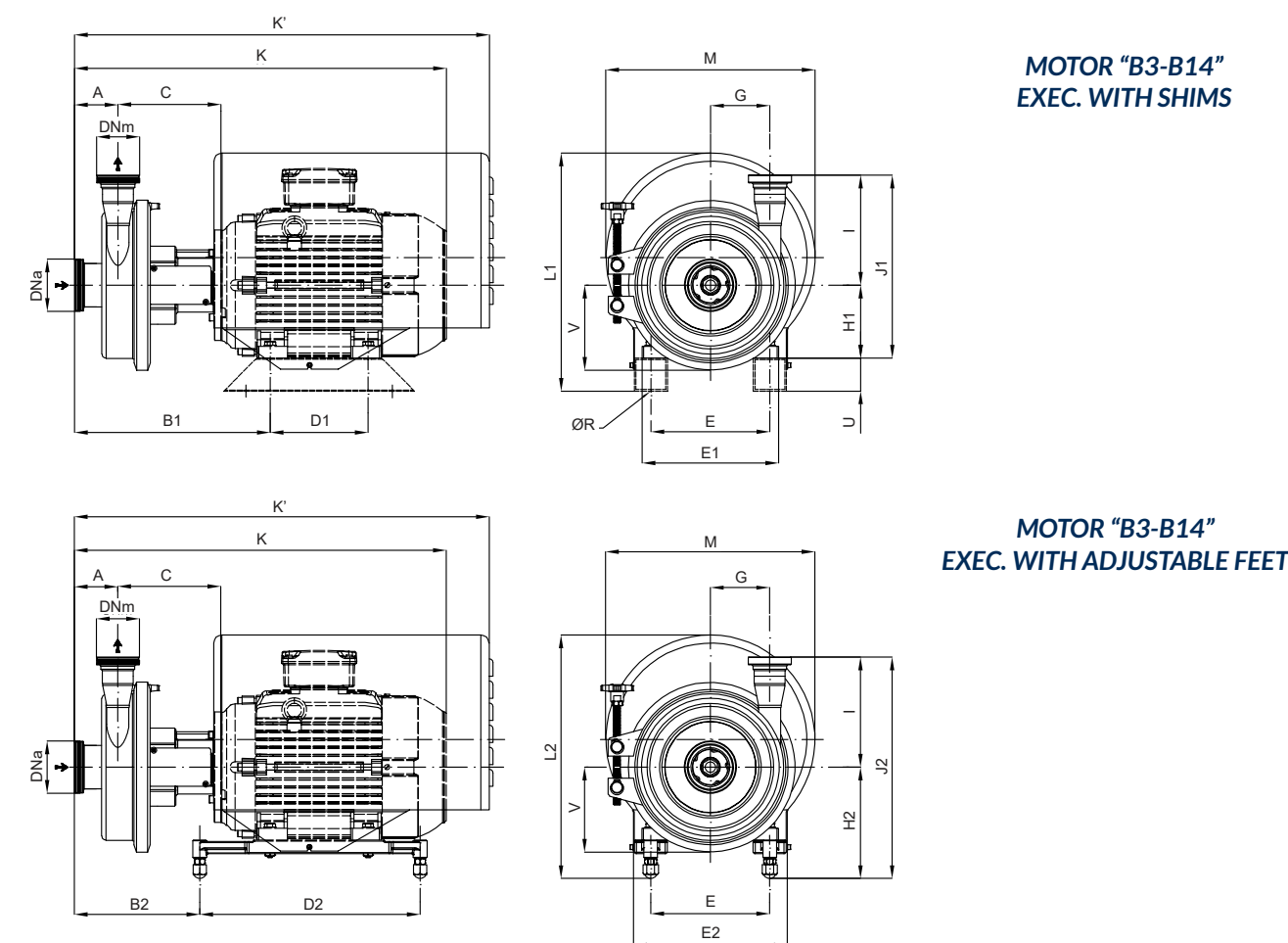
Elastomers (FDA Regulation (EC) No. 1935/2004):

Ethylene propylene (EPDM)
Special fluorocarbon seal
Fluorocarbon seal (FPM - FKM)
FFPM - FFKM

GENERAL DIAGRAMS CN series
(Performance applies to H₂O at 20 °C, 1013 mbar, Data not binding)

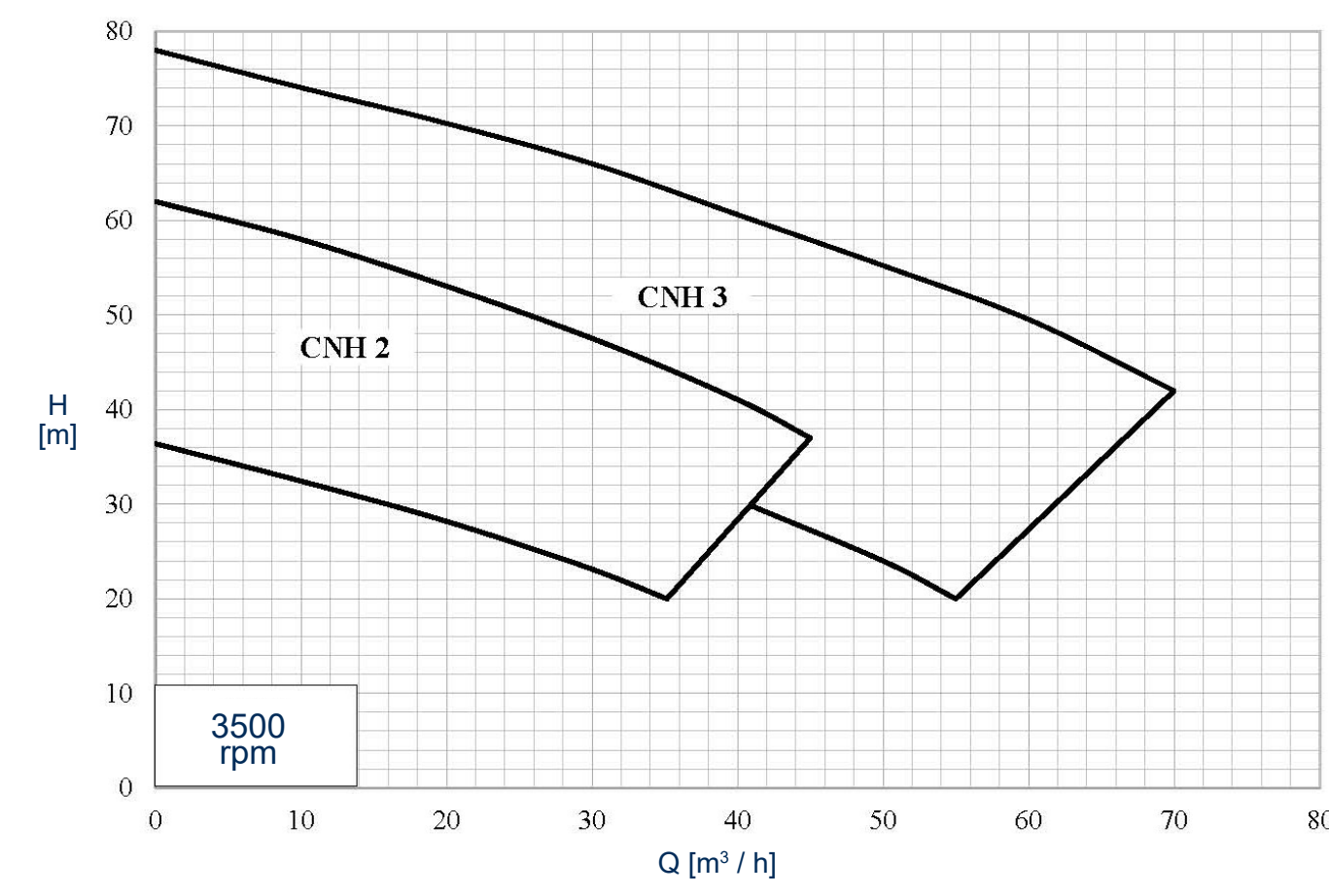
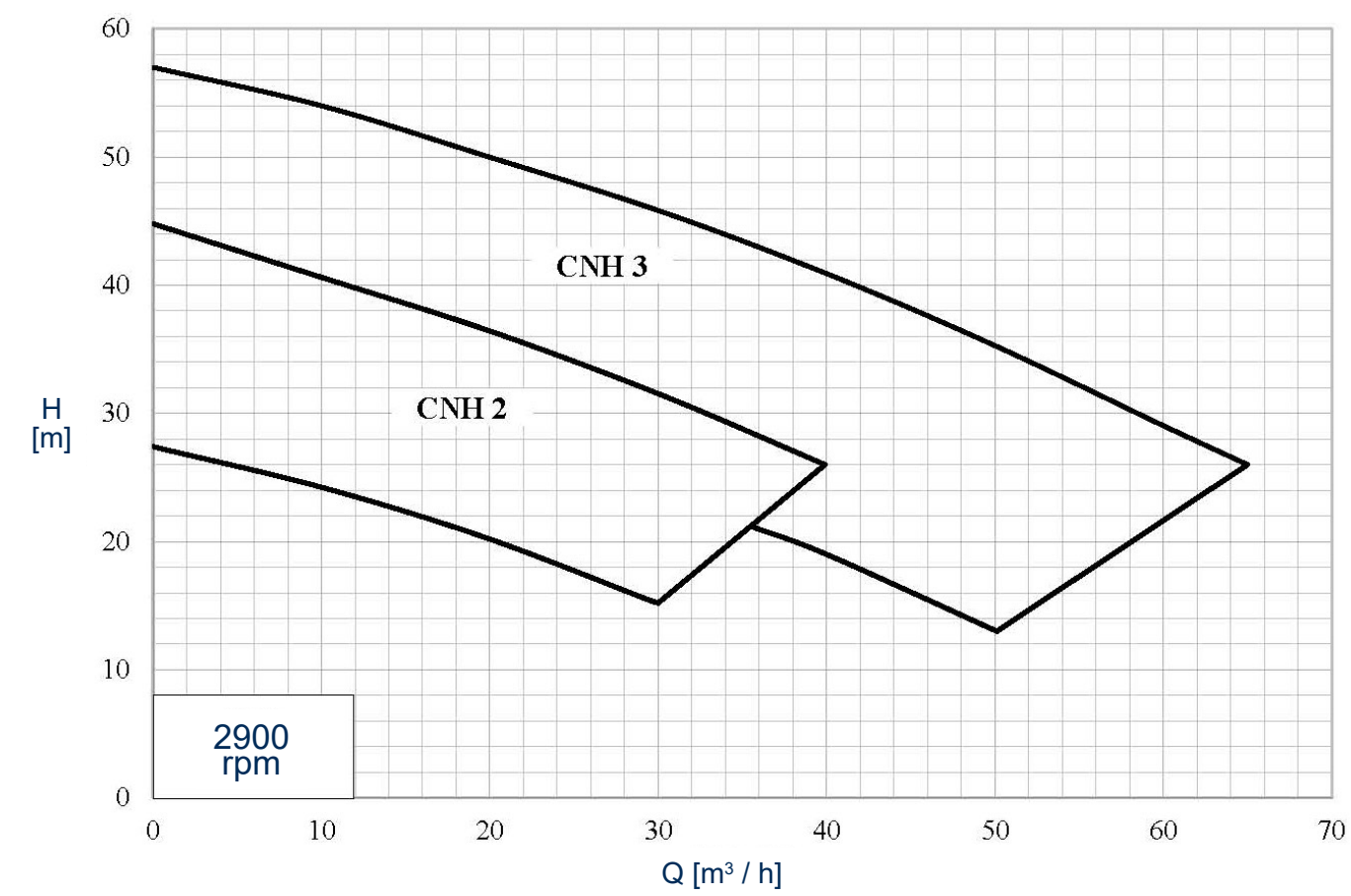


OVERALL DIMENSIONS CN series
Dimensions not binding - DN = DIN 11851 male threaded connections with standard IEC/EN motors

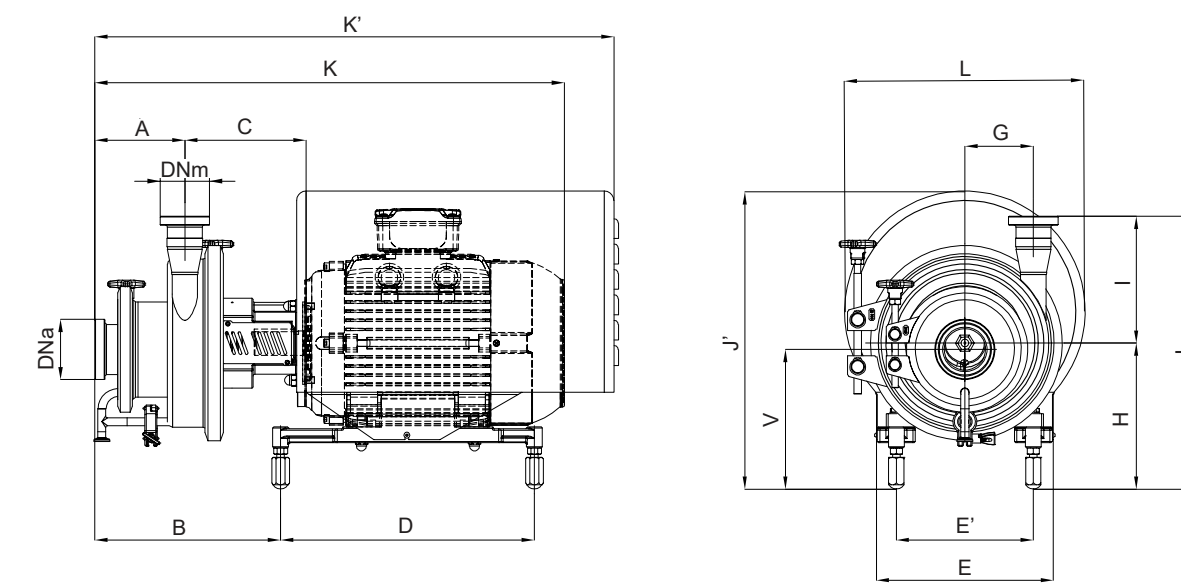


Pumps	IEC motors size:	DNa	DNm	A	B1	B2	C	D1	D2	E	E1	E2	G	H1	H2	K	K'	ØR	I	J1	J2	L1	L2	M	U	V						
CN 1	80	50	40	73	276	186	155	100	220	125	155	160	86	80	158	462	-	10	263	341	-	-	-	-	40	127						
	90				282	210	125	270	140	165	210	90		160	505,5	597	100	170	572	674	183	273	343	317,5	347,5		303	50				
	100				319	247	140	285	160	196	240	112		182	592	240	112	182	592	240	12	295	365	401,5	421,5		369	60				
	112				326	239	185	315	190	226	240	132		202	666	744	132	202	666	744	12	315	385	432	442		380	60				
CN 2	80	65	50	79	286	196	159	100	220	125	155	160	108	80	158	478	-	10	280	358	-	-	-	40	154							
	90				292	219	125	270	140	165	210	90		160	515	607	100	170	582	684	12	290	360	317,5		347,5	303	50				
	100				326	249	140	285	160	196	240	112		182	600	684	112	182	600	684	12	300	370	389,5		432,5	369	50				
	112				336	249	189	315	190	226	240	132		202	675	754	132	202	675	754	14	312	382	401,5		444,5	369	60				
CN 3	132	355	228	178	400	216	256	276	160	210	821	912	14	360	410	536,5	526,5	473	70	332	402	432	442	380	60	179						
	160	404	251	219	254	475	254	300	326	160	210	821	912	14	360	410	536,5	526,5	473	70	332	402	432	442	380		60					
	90	295	223	159	125	270	140	165	210	90	160	521	611	10	315	415	317,5	378,5	303	40	315	415	317,5	378,5	303		40					
	100	332	260	140	285	160	196	240	112	182	606	688	12	255	367	437	401,5	452,5	369	50	355	425	389,5	440,5	369		50					
CN 10	80	65	50	79	287	197	155	100	220	125	155	160	80	80	158	474	-	10	280	338	-	-	-	40	127							
	90				286	215	125	270	140	165	210	90		160	517	608	100	170	583	686	12	270	340	317,5		347,5	303	50				
	100				320	252	140	285	160	196	240	112		182	601	686	12	180	280	350	389,5	409,5	369	50		292	362	401,5	421,5	369	50	
	112				237	244	185	315	190	226	240	132		202	676	756	14	340	390	536,5	526,5	473	70	312		382	432	442	380	60		
CN 20	80	80	65	84	405	252	215	254	475	254	300	326	98	80	158	485	606	10	298	376	-	-	-	40	154							
	90				299	299	145	100	220	125	155	160		90	160	521	619	100	170	594	695	12	308	378		317,5	347,5	303	50			
	100				305	305	145	125	270	140	165	210		100	170	594	695	12	218	318	388	355	432,5	369		50	318	388	355	432,5	369	50
	112				341	269	175	140	285	160	196	240		112	182	612	705	12	330	400	401,5	444,5	369	50		330	400	401,5	444,5	369	50	
CN 30	132	367	240	178	400	216	256	276	160	210	832	923	14	378	428	546,5	526,5	473	70	350	420	432	442	380	60	179						
	160	416	263	205	254	475	254	300	326	160	210	832	923	14	378	428	546,5	526,5	473	70	378	428	546,5	526,5	473		70					
	180	449	198	225	279	600	282,5	350	354,5	180	240	912	-	15	398	458	-	-	60	398	458	-	-	-	60							
	90	310	238	147	125	270	140	165	210	90	160	534	624	10	363	433	317,5	378,5	303	40	363	433	317,5	378,5	303		40					
CN 30	100	100	80	88	347	275	140	285	160	196	240	127	100	170	600	701	12	273	343	389,5	440,5	369	50	179								
	112				354	267	177	315	190	226	240		112	182	618	711	12	385	455	401,5	452,5	369	50		373	443	389,5	440,5	369	50		
	132				273	246	178	400	216	256	276		132	202	693	771	14	405	475	432	473	380	60		405	475	432	473	380	60		
	160				423	269	207	254	475	254	300		326	160	210	800	929	14	433	483	546,5	536,5	473		70	433	483	546,5	536,5	473	70	
180	452	201	227	279	600	282,5	350	354,5	180	240	918	-	15	453	513	-	-	60	453	513	-	-	-	60								

GENERAL DIAGRAMS CNH series
(Performance applies to H₂O at 20 °C, 1013 mbar, Data not binding)



OVERALL DIMENSIONS CNH series
Dimensions not binding - DN = DIN 11851 female connection with standard IEC/EN motors



Pump type	IEC motor dimensions:	DNa	DNm	A	B	C	D	E	E'	G	H	K	K'	I	J	J'	L	V						
CNH 2	112	65	50	142	293	189	400	279	279	108	205	666	749	200	405	445	369	195						
	132 S																		702	818	430	470	380	220
	132 M																		740	818	430	470	380	220
CNH 3	112	80	65	164,5	314	188	400	216	216	129	230	723	840	255	455	470	380	217						
	132 S																		761	840	485	597	473	267
	132 M																		761	840	485	597	473	267