



Peripheral impeller pumps

CP series

Standard design

Closed coupled single stage peripheral impeller pumps suitable for clean, non abrasive liquids without solids and viscosities up to max. 250 cP.

The special design of casing and impeller is suitable for duties with medium-high heads and low flow rates.

The pulsation-free flow is suitable for liquid dosing, laboratory micro installations, spraying and in-line measurement systems.

Wetted parts from AISI 316L (1.4404) stainless steel rolled bar, electro-chemically polished for a perfect surface finish.

A range of 2 models with flow rates up to 6 m³/h and heads of more than 100 m.

Maximum outlet pressure: 16 bar
Temperature range: -10°C to 100°C
Maximum rotation speed: 3500 rpm

Seals:

Single mechanical seals with seats to EN 12756, ISO 3069 standards.

Elastomers:

EPDM
Fluorocarbon
Perfluoroelastomer
P.T.F.E. (FEP)

Connections:

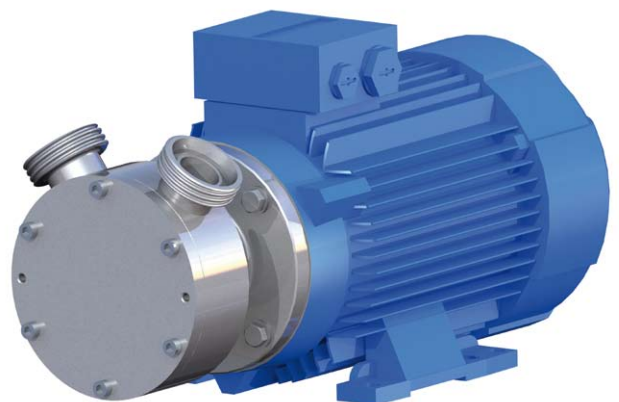
DIN - SMS - IDF - BS / RJT - DS - CLAMP.
Other connections are available on request.

Applications:

Food processing, dairy, beverage and syrups, oils, liqueurs and CIP duties.
Chemical industry, acid and basic solutions.
Cosmetic and pharmaceutical industry.



CP pump with shroud and stainless steel adjustable feet



Pump with B34 motor



Peripheral impeller made from AISI 316L (1.4404) stainless steel rolled bar.
On request special anti-friction stainless alloy is available.

MECHANICAL SEALS

MATERIAL CODES

METALS

X- Stainless steel AISI 316L

CARBONS

V- Normal carbon

Z- Special carbon

RESINS

5 - Normal PTFE

F - O-RING FEP

METAL CARBONS

3 - Hard metal welded on stainless steel (TUC)

R - Integral anti-corrosion hard metal (TUC)

K - Integral silicate carbon (SIC)

ELASTOMERS

6 - Nitrile (NBR)

7 - Ethylene propylene (EPDM)

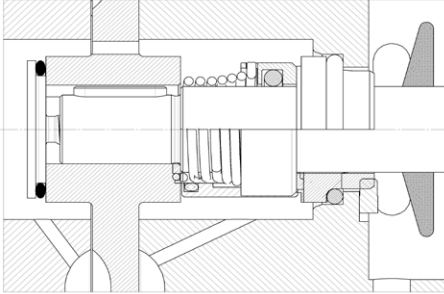
W - FPM for high T

Y - Fluorocarbon (FPM)

B - Silicone

Q - Chemraz

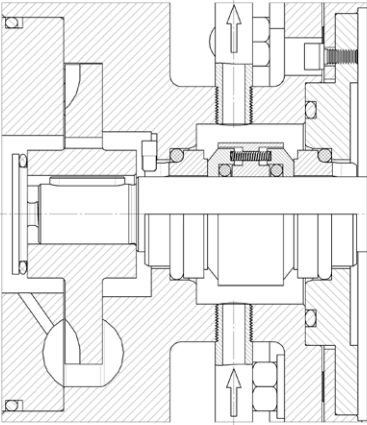
U - Kalrez



“T” EXECUTION

INTERNAL MECHANICAL SEAL

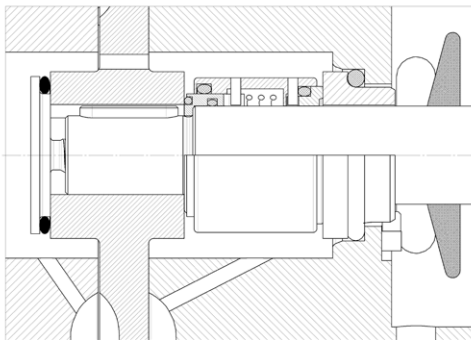
The standard version has an internal mechanical seal, wetted by the product and fitted behind the impeller in a chamber to ensure correct fluid flow and lubrication are achieved.



“Q” EXECUTION

DOUBLE FLUSHED MECHANICAL SEAL

Double mechanical seal, for the circulation of a flushing and cooling liquid. Used with products that tend to crystallise, adhere and solidify, or are abrasive and corrosive. For high temperatures and when the internal single seal life is compromised.



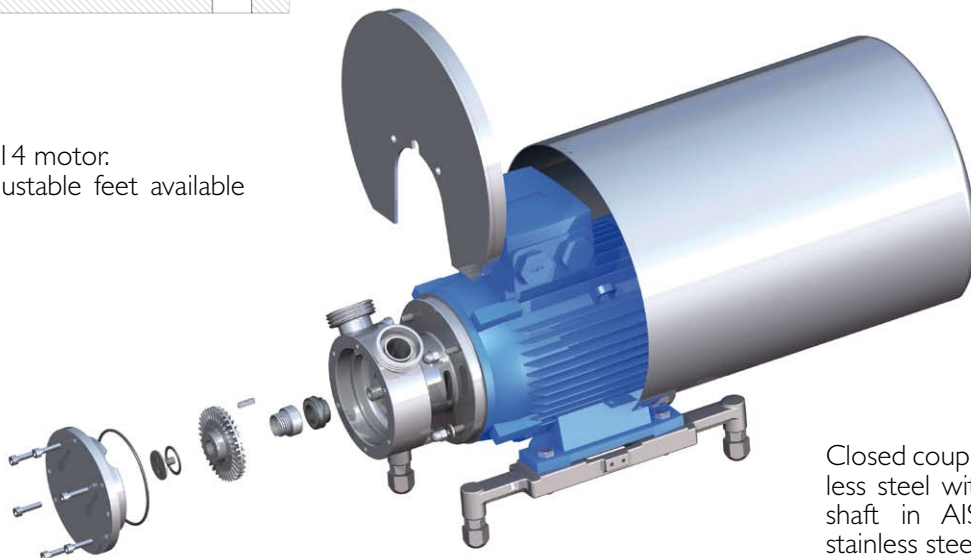
“TH” EXECUTION

INTERNAL MECHANICAL SEAL

An enhanced product wetted single mechanical seal. Protected and hydraulically balanced. Easily cleaned and therefore ideal for sanitary and food applications.



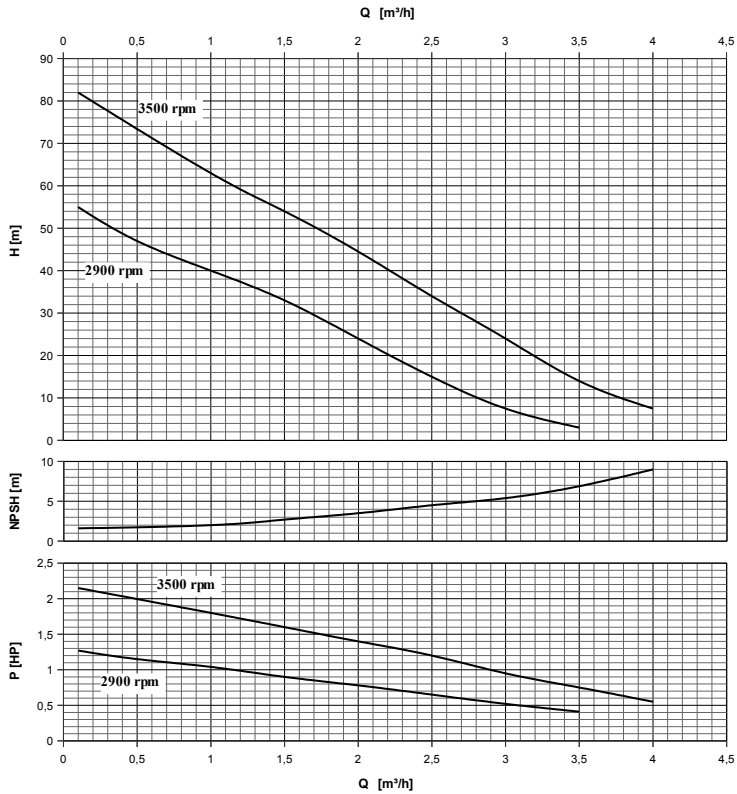
Pump with B3B14 motor.
Shroud and adjustable feet available on request.



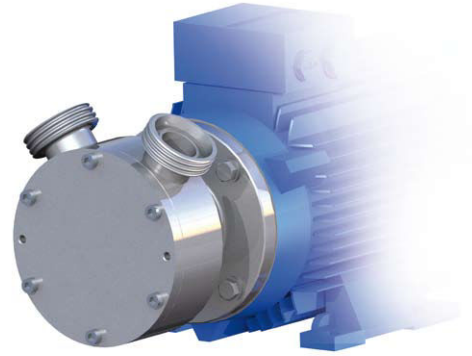
Closed coupled version in stainless steel with a special motor shaft in AISI 316L (1.4404) stainless steel

PERFORMANCE CURVES

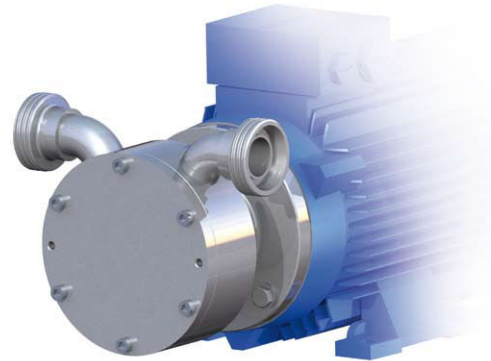
POMPA TIPO Pump type		CP 15			n 2900/3500 giri/min r.p.m.	
GIRANTE ----- Impeller						
TIPO Type	N° di pale n° of blades	Pass. sferico max. sphere	Ø max max. diameter	Ø min min. diameter	Bocche tipo Ports type	Bocca aspir. Suction port DN 15
APERTA	36	----- mm	74 mm	----- mm	DIN 11851	Bocca mand. Discharge port DN 15
CARATTERISTICHE DI FUNZIONAMENTO CON ACQUA PULITA A 20 °C - PESO SPECIFICO 1 Kg/dm ³ Curves show performance with clear water at 70 °F - Specific gravity 1 Kg/dm ³						



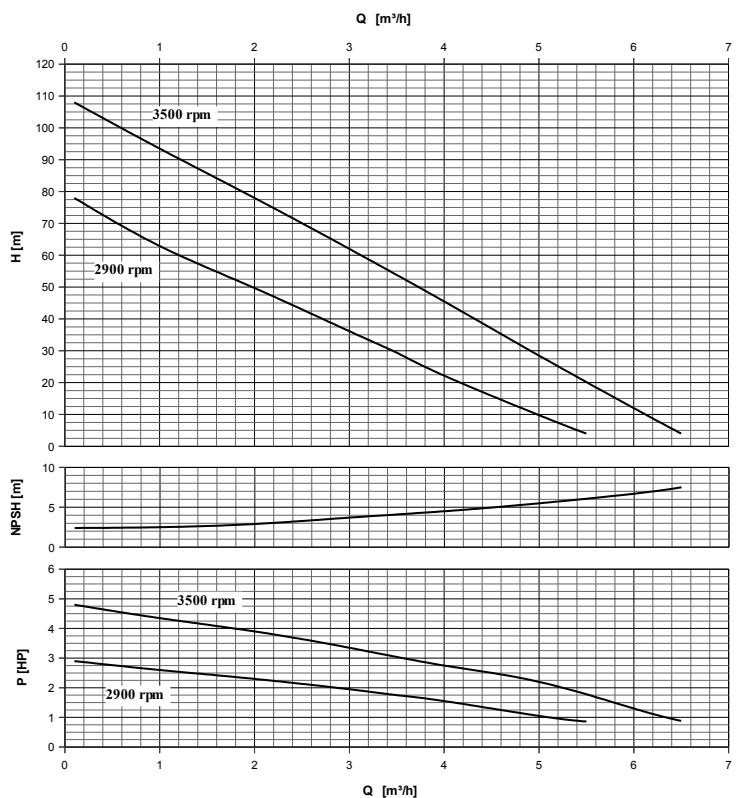
“V”
STANDARD VERSION



“T”
VERSION
WITH HORIZONTAL PORTS



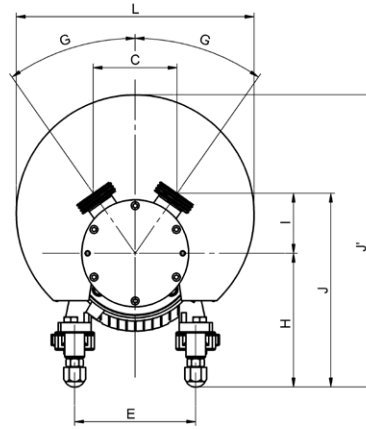
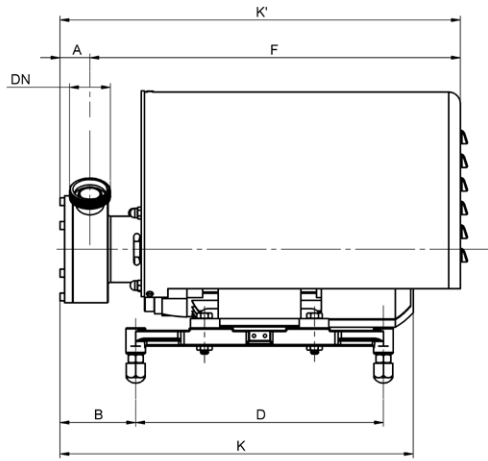
POMPA TIPO Pump type		CP 25			n 2900/3500 giri/min r.p.m.	
GIRANTE ----- Impeller						
TIPO Type	N° di pale n° of blades	Pass. sferico max. sphere	Ø max max. diameter	Ø min min. diameter	Bocche tipo Ports type	Bocca aspir. Suction port DN 25
APERTA	32	----- mm	80 mm	----- mm	DIN 11851	Bocca mand. Discharge port DN 25
CARATTERISTICHE DI FUNZIONAMENTO CON ACQUA PULITA A 20 °C - PESO SPECIFICO 1 Kg/dm ³ Curves show performance with clear water at 70 °F - Specific gravity 1 Kg/dm ³						



“U”
VERSION
WITH VERTICAL PORTS

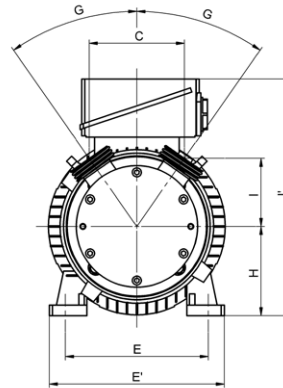
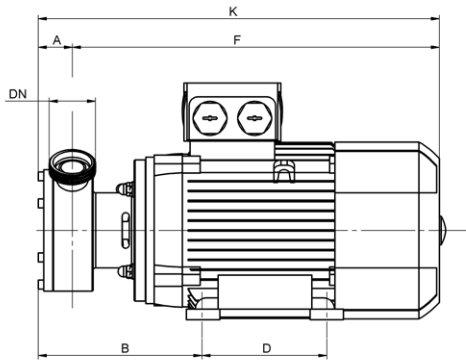


OVERALL DIMENSIONS



Dimensions not binding - DN = DIN 11851 male threaded connections with standard IEC/EN motors

Pumps	Motors Kw	DNa	DNm	A	B	C	D	E	F	G	H	K	K'	I	J	J'	L		
CP 15	1,1	15	15	32	107	90,5	270	140	400	35°	158	400	433	63,5	221,5	361	302,5		
	1,5																		
	2,2																		
CP 25	2,2	25	25	39	104,5	107	270	140	402		158	400	440	76	234	361		302,5	
	3				96		315		154										472
	4																		

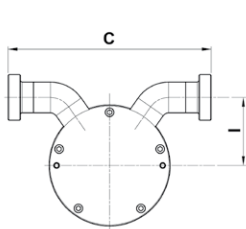


Dimensions not binding - DN = DIN 11851 male threaded connections with standard IEC/EN motors

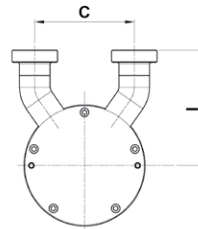
Pumps	Motors Kw	DNa	DNm	A	B	C	D	E	E'	F	G	H	K	ØR	I	J
CP 15	1,1	15	15	32	179	90,5	125	140	170	362	35°	90	395	10	63,5	218
	1,5															
	2,2															
CP 25	2,2	25	25	39	176	107	125	140	170	365		100	450	12	76	246
	3				183,5		140		160	193						
CP 25	4															

PORTS VERSIONS

Horizontal ports		
	I	C
CP 15	60,5	157,5
CP 25	72	202,2



HORIZONTAL



VERTICAL

Vertical ports		
	I	C
CP 15	85,5	77,5
CP 25	107	90,5



C.S.F. Inox S.p.A. Strada per Bibbiano, 7 - 42027 Montecchio E. (RE) - ITALY EU
 Ph +39.0522.869911 ra. - Fx +39.0522.865454 / 866758 - csfitalia@csf.it - www.csf.it

Export Department • Commercial Étranger • Comercial Extranjero
 Ph +39.0522.869922 - Fx +39.0522.869841 - csfexport@csf.it - www.csf.it

All the instructions, data and representations (in whatever way executed) listed in this publication are indicative and do not binding. C.S.F. does not stand surety or undertake any obligation for the utilisation of this document and for the information contained. In particular, it does not guarantee against omissions or errors of the data and drawings here indicated.
 Notice that the technical specifications, information and representations in this document are merely indicative and approximate. C.S.F. INOX reserves the right at any moment and without notice to modify the data, drawings and information indicated in this document.