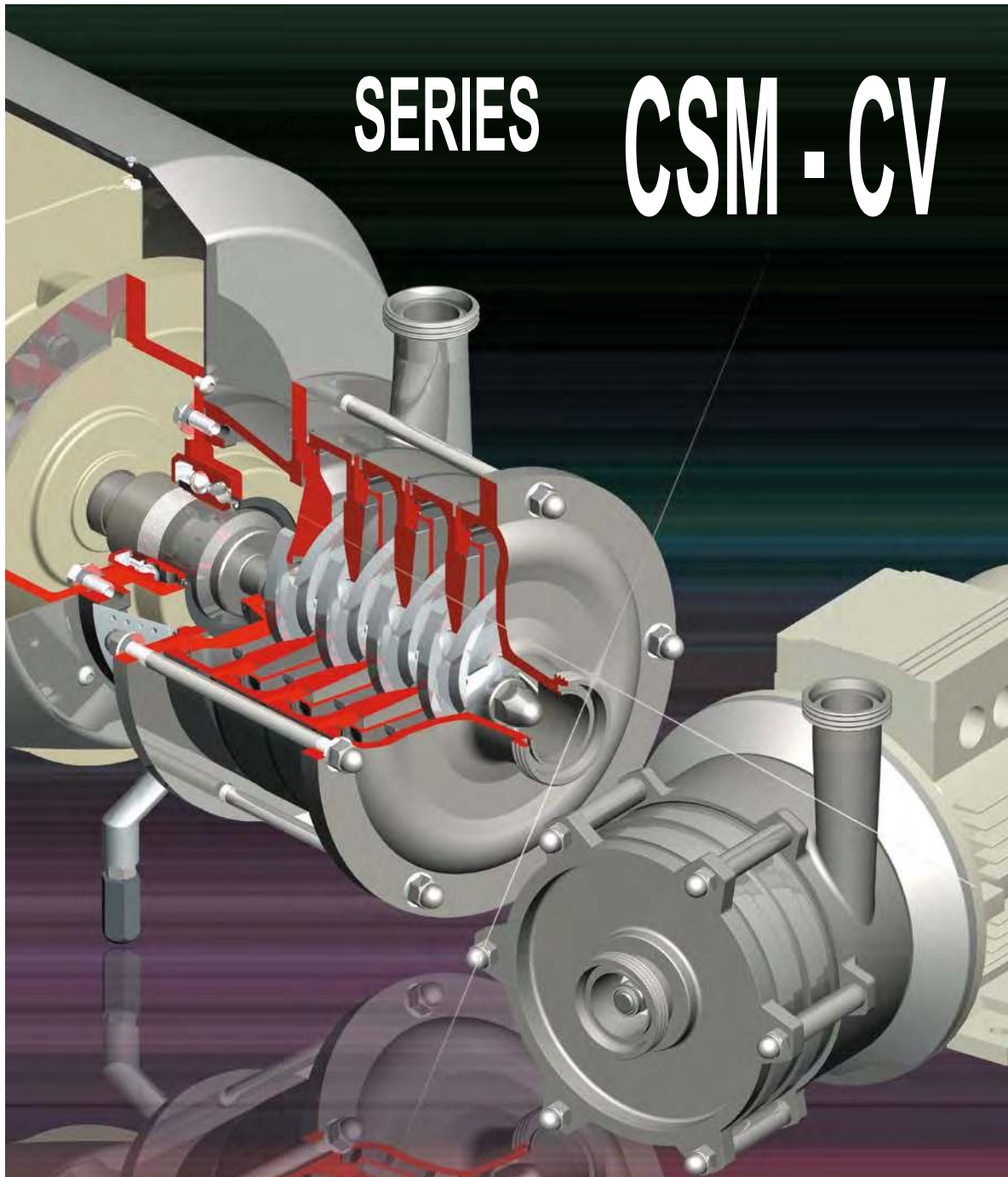


SINGLE AND MULTISTAGE CENTRIFUGAL PUMPS



SINGLE AND MULTISTAGE
CENTRIFUGAL PUMPS
Series CSM - CV

CSFR
inox

C.S.F. INOX SPA

PREFACE AND WARNING

This publication does not constitute a contract proposal or an offer to the public or product advertisement.

This publication is reserved to the internal operators of C.S.F. INOX.

Any kind of product sale and marketing can occur only according to the general terms of contract and special conditions listed by C.S.F. INOX as per contract forms.

All the instructions, data and representations (in whatever way executed) listed in this publication are indicative and do not binding.

C.S.F. does not stand surety or undertake any obligation for the utilisation of this document and for the information contained. In particular, it does not guarantee against omissions or errors of the data and drawings here indicated.

Notice that the technical specifications, information and representations in this document are merely indicative and approximate.

C.S.F. INOX reserves the right at any moment and without notice to modify the data, drawings and information indicated in this document.

C.S.F. INOX recommends anyone to verify with the C.S.F. INOX operators contractual conditions and the product characteristics as per the official documents attached to all products in the C.S.F. INOX range.

All the general and non-binding technical specifications and representations may not correspond to the real conditions of the products and to their operating modes for each different application.

C.S.F. INOX guarantees its own products according to the general guarantee conditions in compliance with the required modes of utilisations as per separate documents, regardless of what is indicated in this document, if the assembly and operating methods of the products are observed.

Only the instructions indicated in the contract documents, if duly undersigned by authorised C.S.F. INOX personnel, are binding for C.S.F. INOX.

We remind our technical and business collaborators to show the customer our range of products indicating the technical specifications of each type, with the conditions of utilisation and the actual utilisation methods.

Please consider this warning carefully because C.S.F. INOX shall not be liable for any utilisation of this document, of the data and representations here indicated.



REAR CASING COVER



CASING



DIFFUSERS



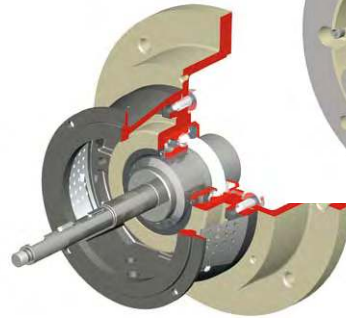
MIDDLE-CASINGS



IMPELLERS

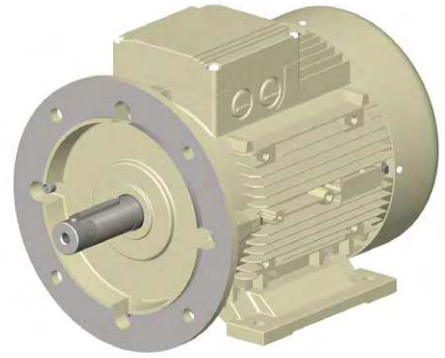


SUCTION COVER



INDEPENDENT SUPPORT

Sturdy and modular support to be integrated in the various solutions.



SEPARATE MOTOR

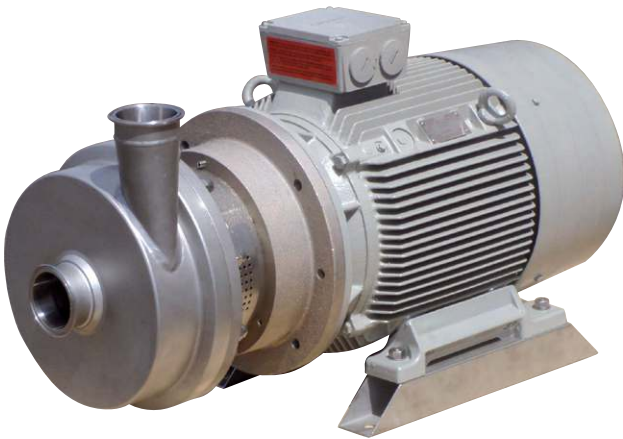
For a self-sufficient choice in compliance with the following standards:

- IEC 34 - 1
- VDE 0530T1
- NF C51 - 111
- BS 5000 PART. 99
- NEMA MG1 PART. 1

The pieces forming the structure of the multistage pumps are from stainless steel rolled bar. They are compact and very thick in order to ensure sturdiness and lack of defects.

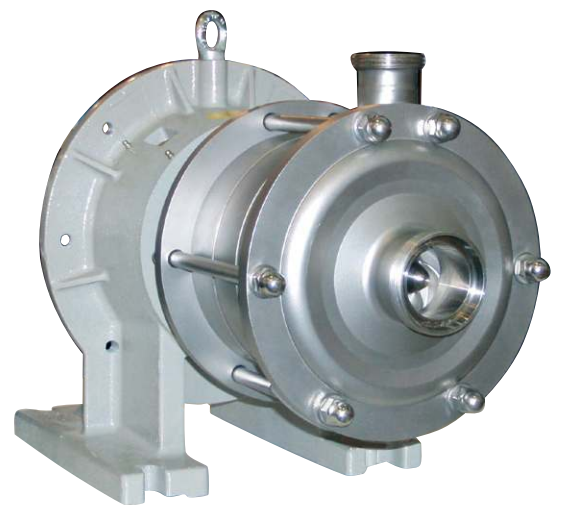
Impellers and diffusers complete the inside of the pump. Manufactured with perfect shapes, thickness and materials and balanced thanks to the investment casting procedure. This means that they are perfectly efficient and reliable.

VARIOUS EXECUTIONS



SINGLE-STAGE PUMP

**“X” EXECUTION
CLOSED COUPLED WITH SEPA-
RATE MOTOR AND DOUBLE BE-
ARING**



**“K” EXECUTION
WITH DOUBLE SEPARATE SUPPORT
FOR COUPLINGS WITH BASE AND
FLEXIBLE COUPLING**

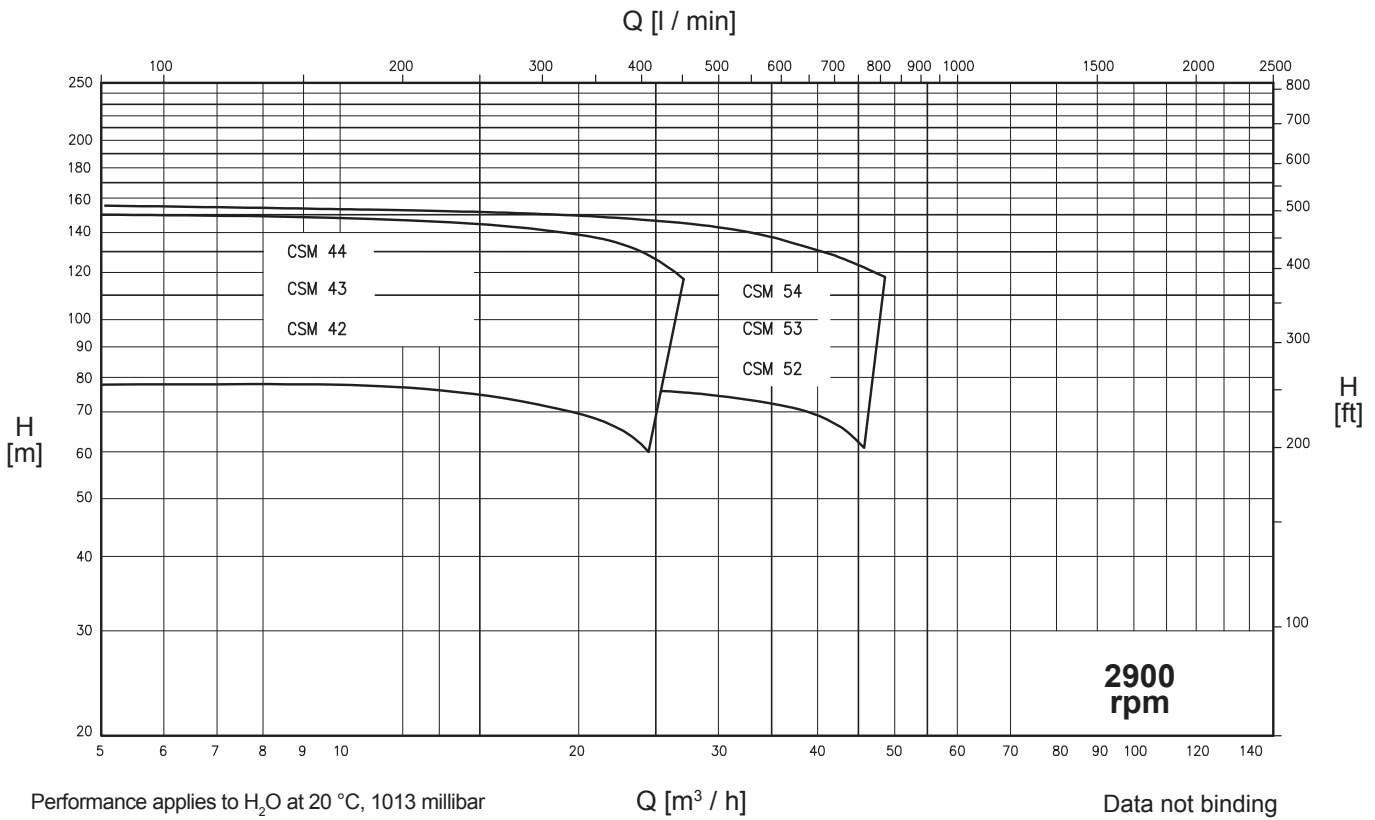
Applications

The multistage pump from CSM series is suitable for duties with high pressures and medium-low capacities or in presence of high suction pressure.

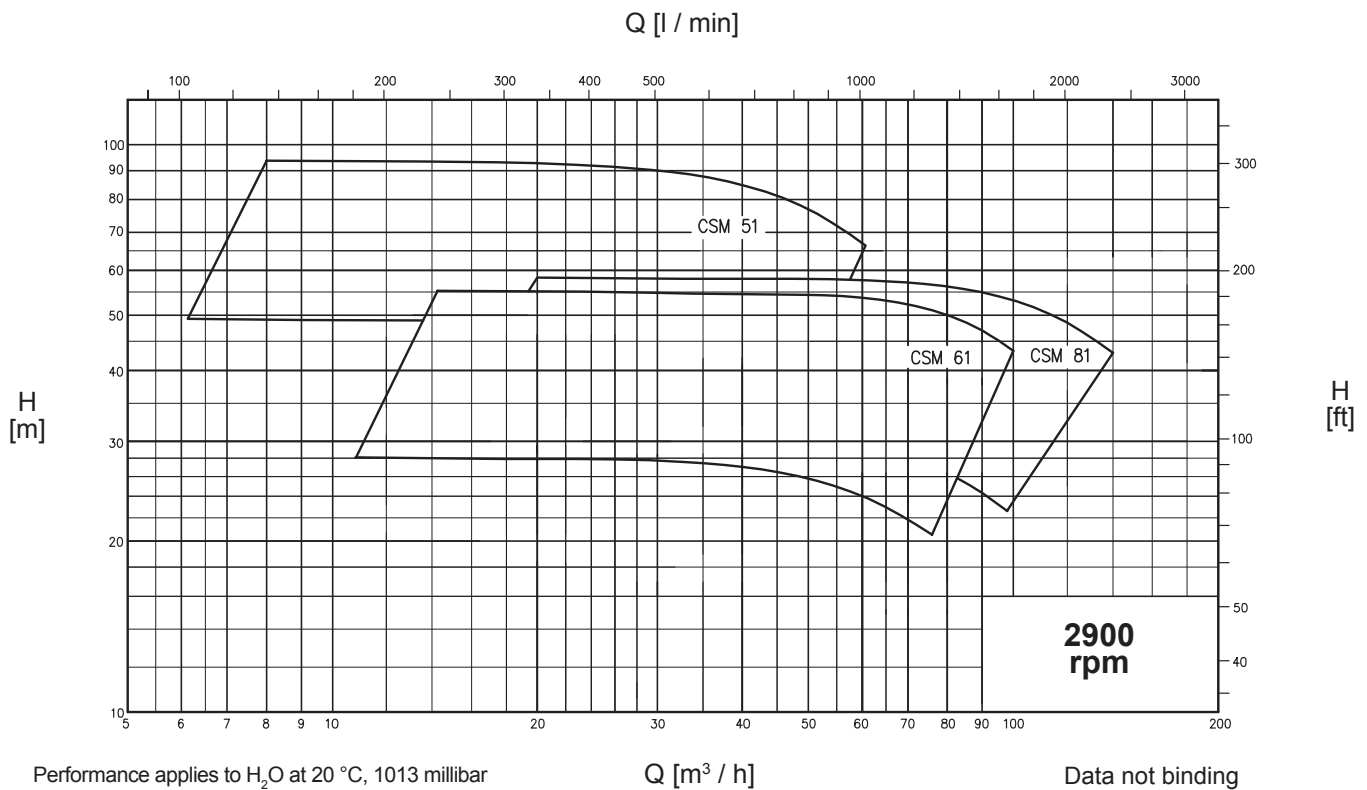
- reverse osmosis plants for water demineralizing and purification, dehydration of milk whey, fruit juice concentration, enzyme selection and concentration, alcohol value reduction in beer and wine;
- nano and ultra filtration plants for milk and whey treatment, lactose removal, salt and/or protein selection;
- treatment with membrane for waste water in industrial processes.

GENERAL DIAGRAMS

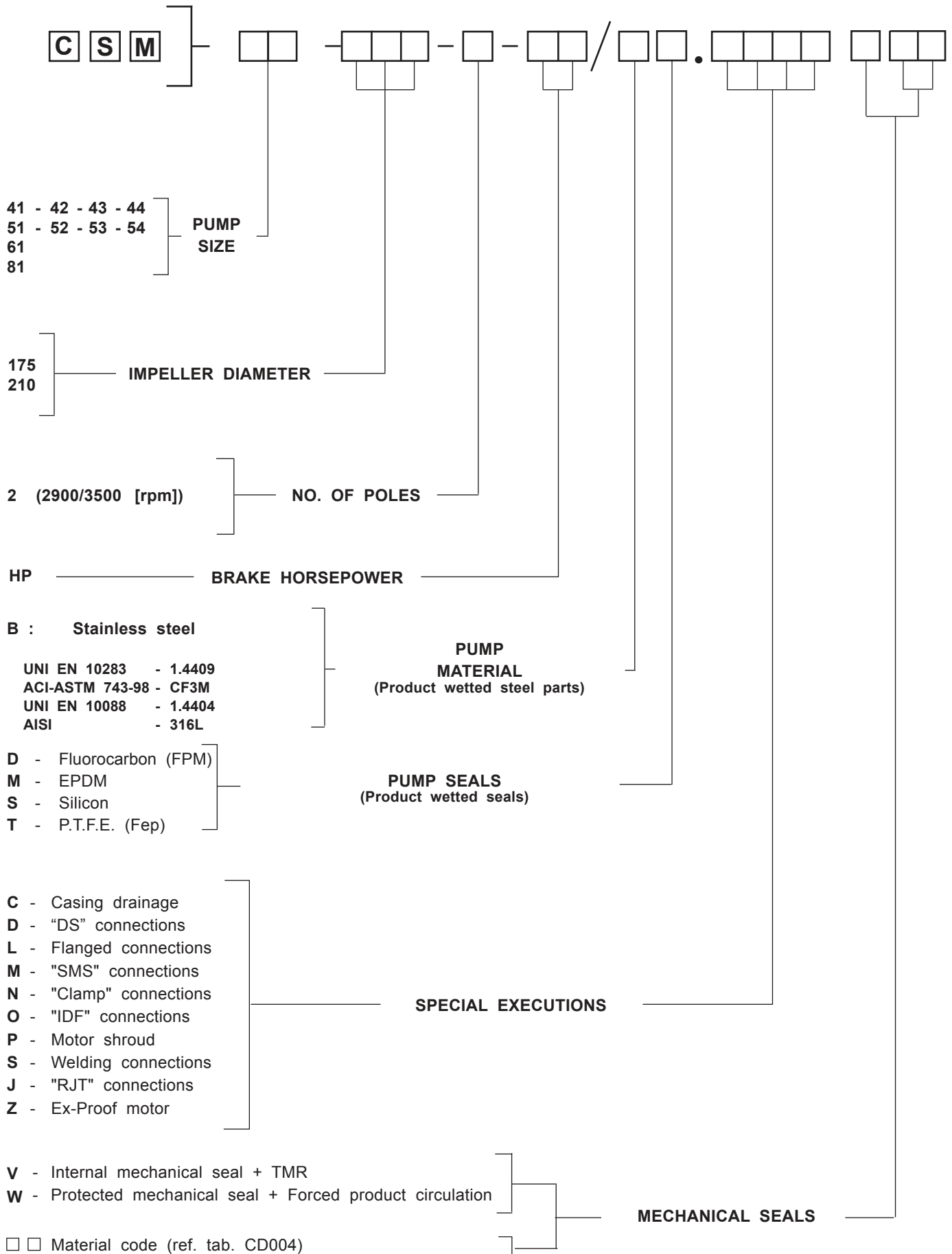
CSM MULTISTAGE GENERAL DIAGRAM



CSM SINGLE-STAGE GENERAL DIAGRAM



PUMP CODES GUIDE



Example: **CSM 52-175-2-20/BM.WH0**

MECHANICAL SEALS

Protected and balanced mechanical seals with seats to EN 12756, ISO 3069 standards.

Thanks to the different materials available the customer can choose the most suitable versions among the many available, depending on the product to be pumped, the temperatures and working performance. The various applications meet and resolve the widest variety of installation and operational conditions.

MATERIAL CODES

METALS

- H** - Nickel-plated stainless steel AISI 304
- X** - Stainless steel AISI 316L
- L** - Hastelloy (Ni alloy)

CARBONS

- V** - Normal carbon
- Z** - Special carbon

RESINS

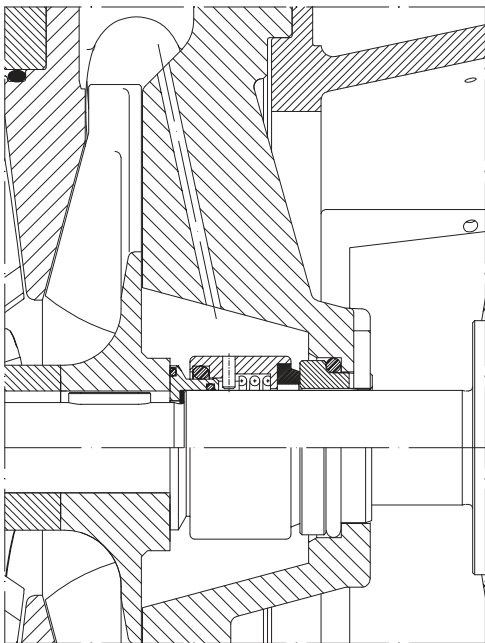
- 5** - Normal PTFE
- 4** - Loaded PTFE
- F** - O-Ring FEP

METAL CARBONS

- 3** - Hard metal welded on stainless steel (TUC)
- R** - Integral anti-corrosion hard metal (TUC)
- K** - Integral silicate carbon (SIC)

ELASTOMERS

- 6** - Nitrile (NBR)
- 7** - Ethylene propylene (EPDM)
- W** - FPM for high T
- Y** - Fluorocarbon (FPM)
- B** - Silicone
- Q** - Chemraz
- U** - Kalrez

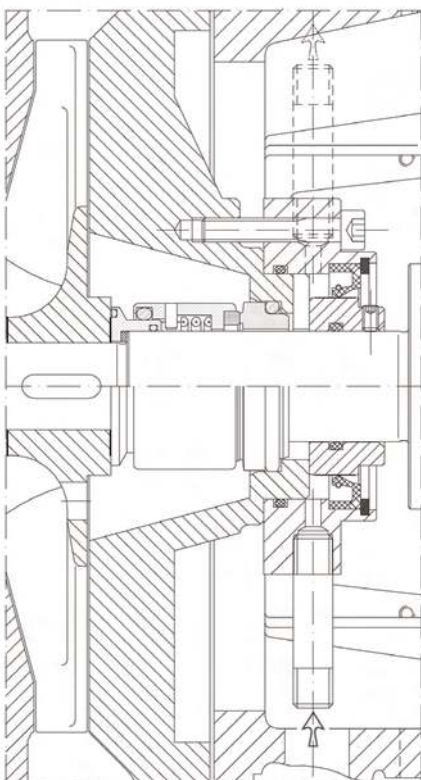


EXECUTION WH

INTERNAL MECHANICAL SEAL "WH"

Protected and balanced execution with forced circulation of the liquid pumped.

It is easily cleaned and therefore ideal for sanitary and pharmaceutical applications etc.



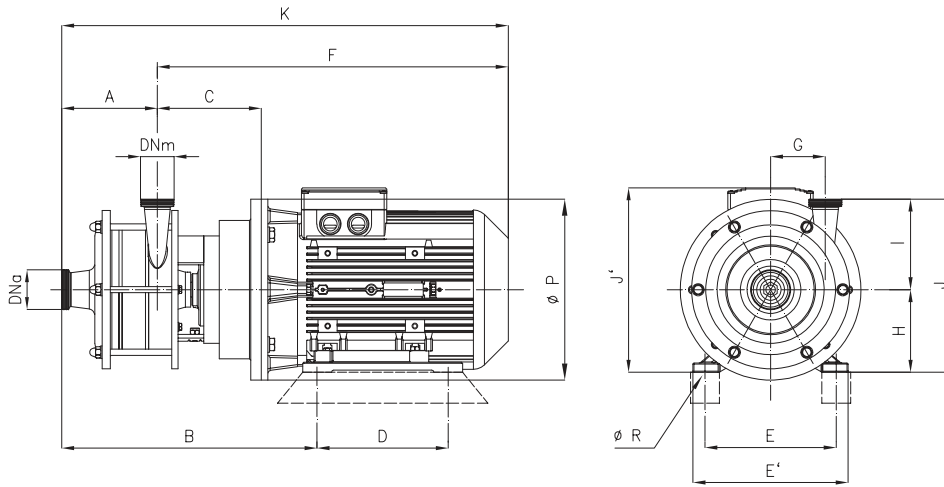
EXECUTION V

INTERNAL MECHANICAL SEAL ASSEMBLY "V"

The external liquid circulation chamber creates a protective barrier and prevents any damages to the electric motor and contamination of the environment, due to the possible leakage of the internal mechanical seal with aggressive or toxic liquids.

The function of the flushing is to clean the seal surfaces in order to limit the wear.

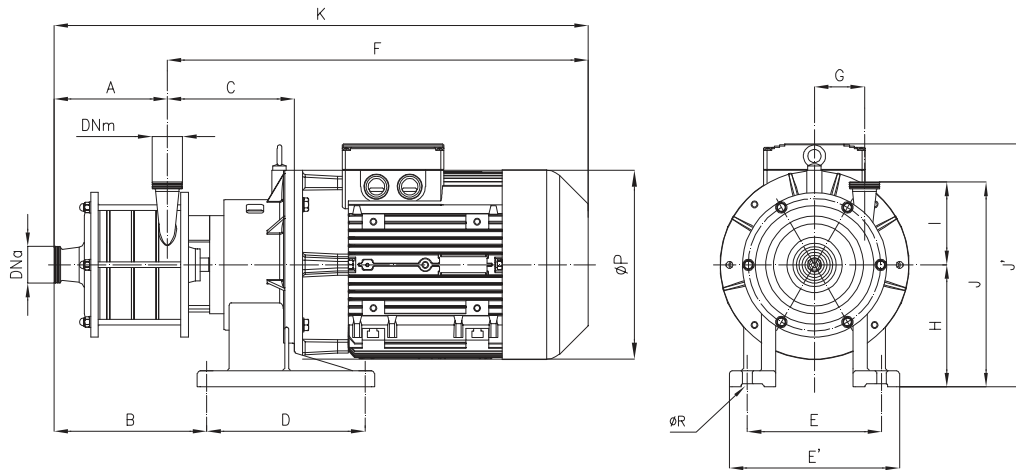




Dimensions not binding - DN = DIN 11851 male threaded connections, with standard IEC/EN motors

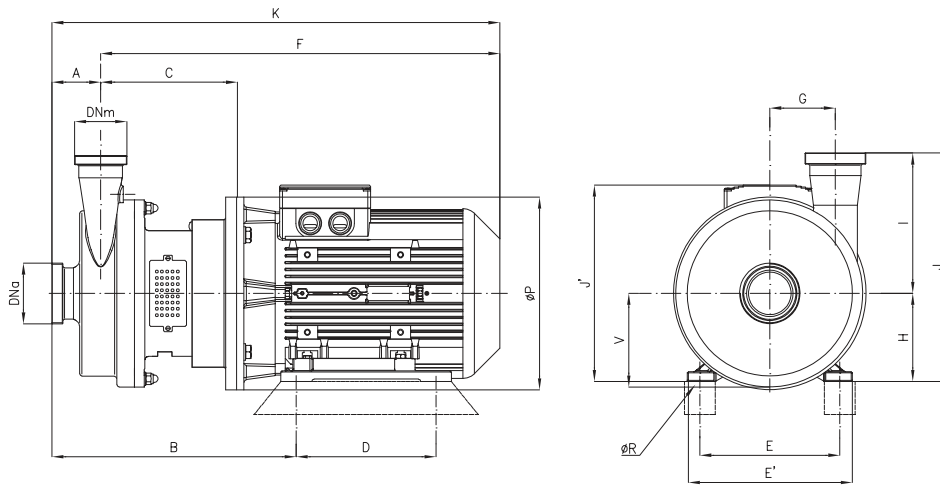
Pumps	2900 rpm	kW	DNa	DNm	A	B	C	D	E	E'	F	G	H	K	ØP	ØR	I	J	J'	Weight
CSM 42		11	50	40	139	463	216	210	254	300	694	86	160	883	350	14	203	363	357	
CSM 42		18,5	50	40	139	463	216	254	254	300	694	86	160	883	350	14	203	363	357	
CSM 43		18,5	50	40	192	516	216	254	254	300	694	86	160	886	350	14	203	363	357	
CSM 43		22	50	40	192	529	216	241	279	340	776	86	160	968	350	14	203	363	442	
CSM 44		22	50	40	245	582	216	241	279	340	776	86	180	1021	350	14	203	383	442	
CSM 52		15	65	50	139	463	216	210	254	300	694	86	160	833	350	14	205	365	357	
CSM 53	22	65	50	192	529	216	241	279	340	776	86	180	968	350	14	205	385	442		

“X” version



Dimensions not binding - DN = DIN 11851 male threaded connections, with standard IEC/EN motors

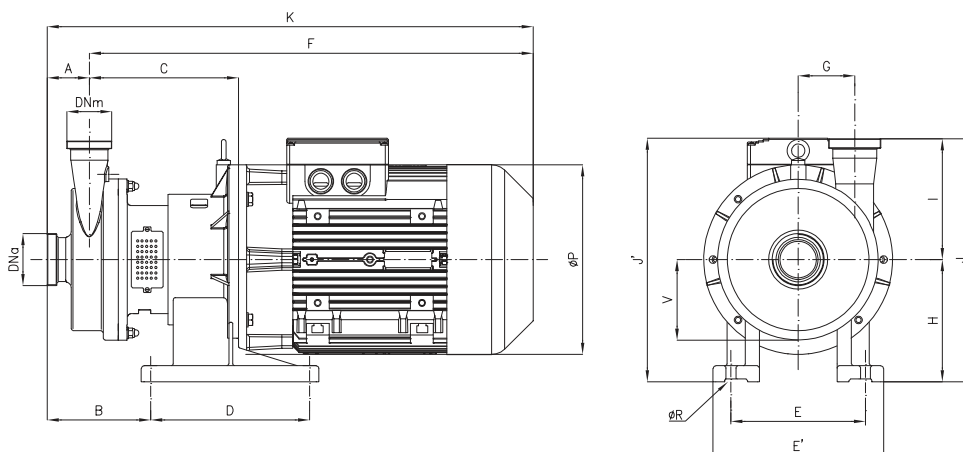
Pumps	2900 rpm	kW	DNa	DNm	A	B	C	D	E	E'	F	G	H	K	ØP	ØR	I	J	J'	Weight
CSMX 44		30	50	40	245	345	284	335	284	360	943	86	258	1188	400	21	203	461	563	
CSMX 53		30	65	50	192	292	284	335	284	360	943	86	258	1135	400	21	205	463	563	
CSMX 54		30	65	50	245	345	284	335	284	360	943	86	258	1188	400	21	205	463	563	
CSMX 54	37	65	50	245	345	284	335	284	360	943	86	258	1188	400	21	205	463	563		



Dimensions not binding - DN = DIN 11851 male threaded connections, with standard IEC/EN motors

Pumps	2900 rpm	kW	DNa	DNm	A	B	C	D	E	E'	F	G	H	K	ØP	ØR	I	J	J'	V	Weight
CSM 51		15	65	50	73	431	250	210	254	300	728	140	160	801	350	15	240	400	357	195	
CSM 51		18,5	65	50	73	431	250	254	254	300	728	140	160	801	350	15	240	400	357	195	
CSM 51		22	65	50	73	444	250	241	279	340	810	140	180	883	350	15	240	420	442	195	
CSM 61		11	80	65	84	445	253	210	254	300	731	100	160	815	350	15	250	410	357	170	
CSM 61		15	80	65	84	445	253	210	254	300	731	100	160	815	350	15	250	410	357	170	
CSM 61		18,5	80	65	84	445	253	254	254	300	731	100	160	815	350	15	250	410	357	170	
CSM 61		22	80	65	84	458	253	241	279	340	813	100	180	897	350	15	250	430	442	170	
CSM 81		11	100	80	100	461	253	210	254	300	731	120	160	831	350	15	255	415	357	170	
CSM 81		15	100	80	100	461	253	210	254	300	731	120	160	831	350	15	255	415	357	170	
CSM 81		18,5	100	80	100	461	253	254	254	300	731	120	160	831	350	15	255	415	357	170	
CSM 81		22	100	80	100	474	253	241	279	340	813	120	180	913	350	15	255	430	442	170	

“X” version



Dimensions not binding - DN = DIN 11851 male threaded connections, with standard IEC/EN motors

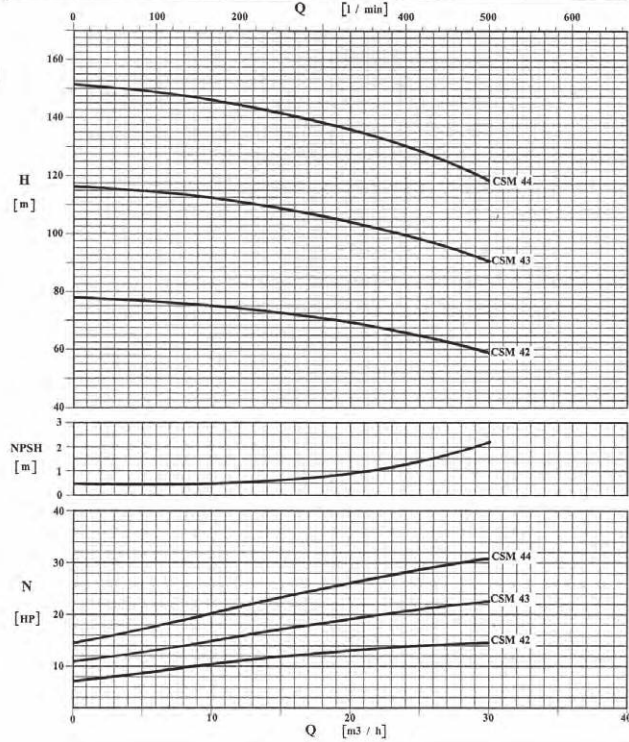
Pumps	2900 rpm	kW	DNa	DNm	A	B	C	D	E	E'	F	G	H	K	ØP	ØR	I	J	J'	V	Weight
CSMX 51		30	65	50	73	216	325	335	284	360	935	140	258	1008	400	21	240	498	558	195	
CSMX 61		30	80	65	84	227	328	335	284	360	938	100	258	1022	400	21	250	508	558	170	
CSMX 81		30	100	80	100	243	328	335	284	360	938	120	258	1038	400	21	255	513	558	170	
CSMX 81	37	100	80	100	243	328	335	284	360	938	120	258	1038	400	21	255	513	558	170		

CURVE CARATTERISTICHE PERFORMANCE CURVES

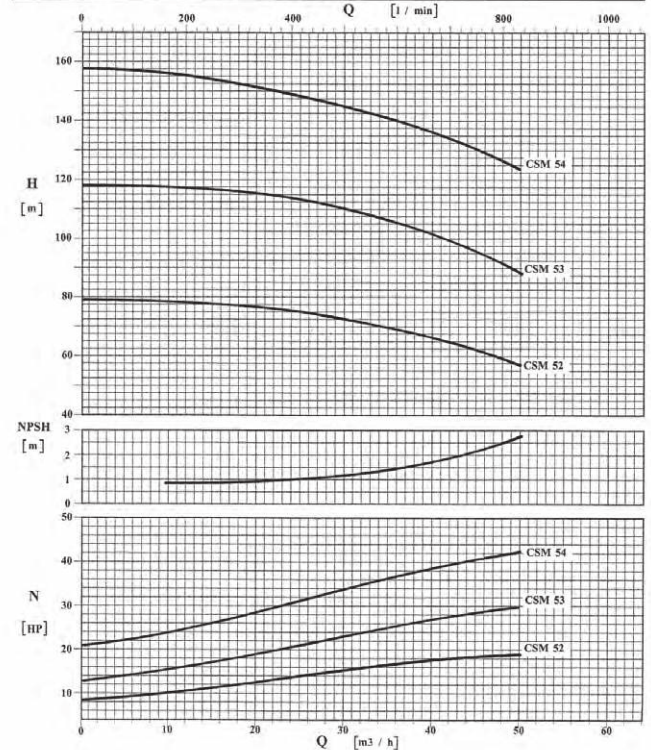
Serie CSM CSM Series

2900 giri/min - 2900 rev/min

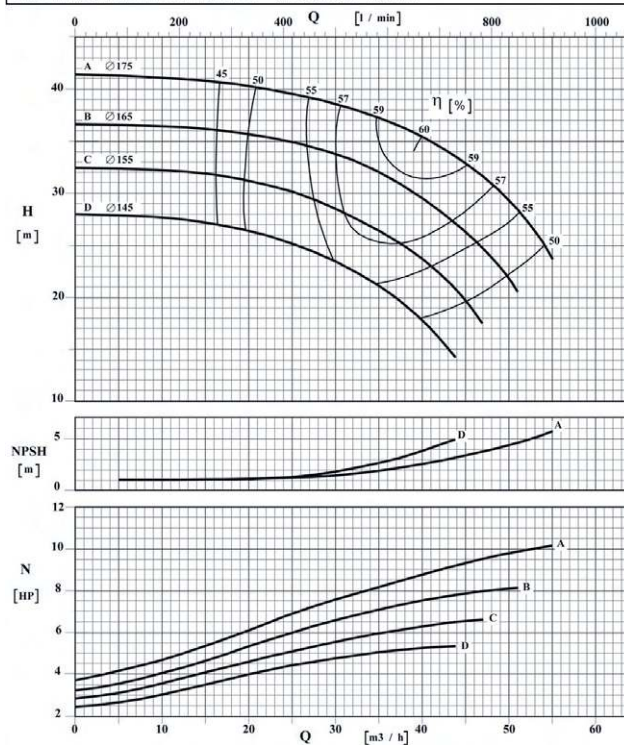
POMPA TIPO Pump type		CSM 40				n	2950	giri / min r. p. m.
		GIRANTE — Impeller						
TIPO Type	N° di pale n° of vanes	Pass. sferico max. sphere	Ø max max. diameter	Ø min min. diameter	Bocche tipo Ports type	Bocca aspir. Suction port	DN 50	
APERTA	6	11 mm	175 mm	140 mm	DIN 11851	Bocca mand. Discharge port	DN 40	
CARATTERISTICHE DI FUNZIONAMENTO CON ACQUA PULITA A 20°C - PESO SPECIFICO 1 (kg/dm ³) Curves show performance with clear water at 20°C - Specific gravity 1 (kg/dm ³)								



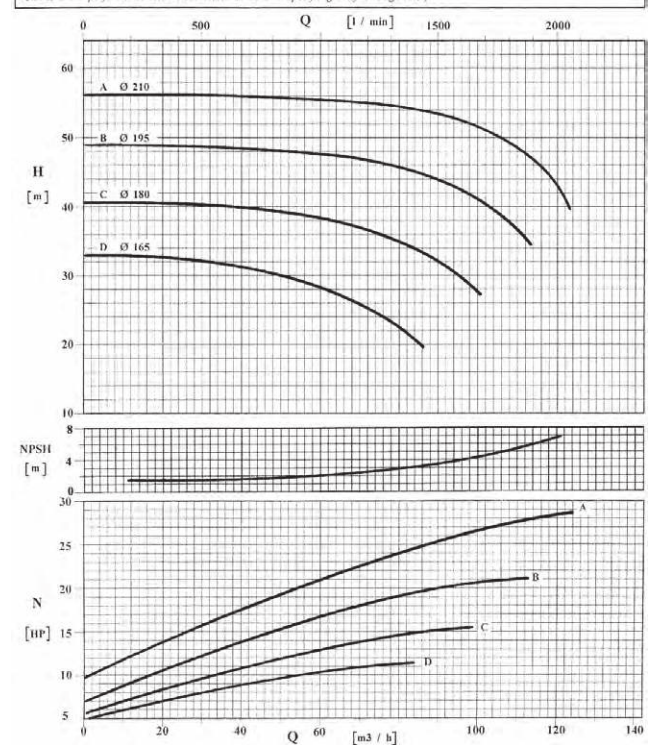
POMPA TIPO Pump type		CSM 50				n	2950	giri / min r. p. m.
		GIRANTE — Impeller						
TIPO Type	N° di pale n° of vanes	Pass. sferico max. sphere	Ø max max. diameter	Ø min min. diameter	Bocche tipo Ports type	Bocca aspir. Suction port	DN 65	
APERTA	6	13 mm	175 mm	140 mm	DIN 11851	Bocca mand. Discharge port	DN 50	
CARATTERISTICHE DI FUNZIONAMENTO CON ACQUA PULITA A 20°C - PESO SPECIFICO 1 (kg/dm ³) Curves show performance with clear water at 20°C - Specific gravity 1 (kg/dm ³)								



POMPA TIPO Pump type		CSM 51 - 175				n	2900	giri / min r. p. m.
		GIRANTE — Impeller						
TIPO Type	N° di pale n° of vanes	Pass. sferico max. sphere	Ø max max. diameter	Ø min min. diameter	Bocche tipo Ports type	Bocca aspir. Suction port	DN 2"1/2 DN 65	
APERTA	6	13 mm	175 mm	145 mm	Clamp HP Flange EN 1092-1	Bocca mand. Discharge port	DN 2" DN 50	
CARATTERISTICHE DI FUNZIONAMENTO CON ACQUA PULITA A 20°C - PESO SPECIFICO 1 (kg/dm ³) Curves show performance with clear water at 20°C - Specific gravity 1 (kg/dm ³)								



POMPA TIPO Pump type		CSM 61 - 210				n	2900	giri / min r. p. m.
		GIRANTE — Impeller						
TIPO Type	N° di pale n° of vanes	Pass. sferico max. sphere	Ø max max. diameter	Ø min min. diameter	Bocche tipo Ports type	Bocca aspir. Suction port	DN 3" DN 80	
APERTA	6	12 mm	210 mm	165 mm	Clamp HP Flange EN 1092-1	Bocca mand. Discharge port	DN 3" DN 65	
CARATTERISTICHE DI FUNZIONAMENTO CON ACQUA PULITA A 20°C - PESO SPECIFICO 1 (kg/dm ³) Curves show performance with clear water at 20°C - Specific gravity 1 (kg/dm ³)								



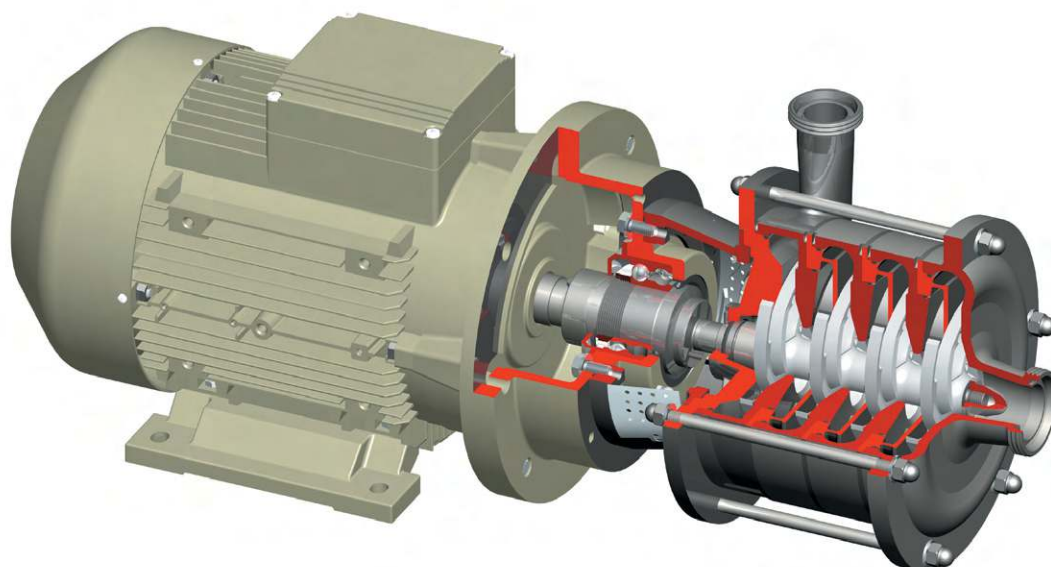
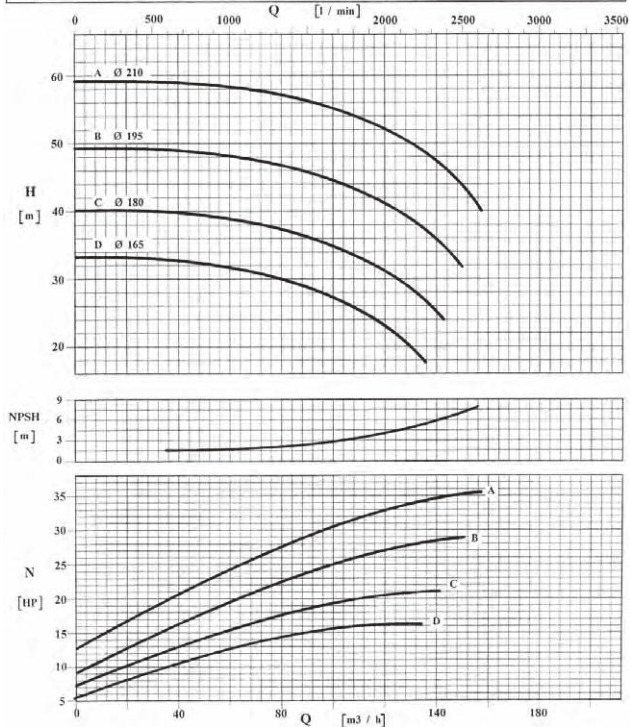
CURVE CARATTERISTICHE

PERFORMANCE CURVES

Serie CSM

CSM Series

POMPA TIPO Pump type		CSM 81 - 210			n	2900	giri / min r. p. m.
		GIRANTE Impeller					
TIPO Type	N° di pale n° of vanes	Pass. sferico max. sphere	Ø max max. diameter	Ø min min. diameter	Bocche tipo Ports type	Bocca aspir. Suction port	DN 100
APERTA	6	15 mm	210 mm	165 mm	Clamp HP Flange EN 1092-1	Bocca mand. Discharge port	DN 80
CARATTERISTICHE DI FUNZIONAMENTO CON ACQUA PULITA A 20°C - PESO SPECIFICO 1 (kg/dm ³) Curves show performance with clear water at 20°C - Specific gravity 1 (kg/dm ³)							



CENTRIFUGAL MULTISTAGE PUMPS CV SERIES

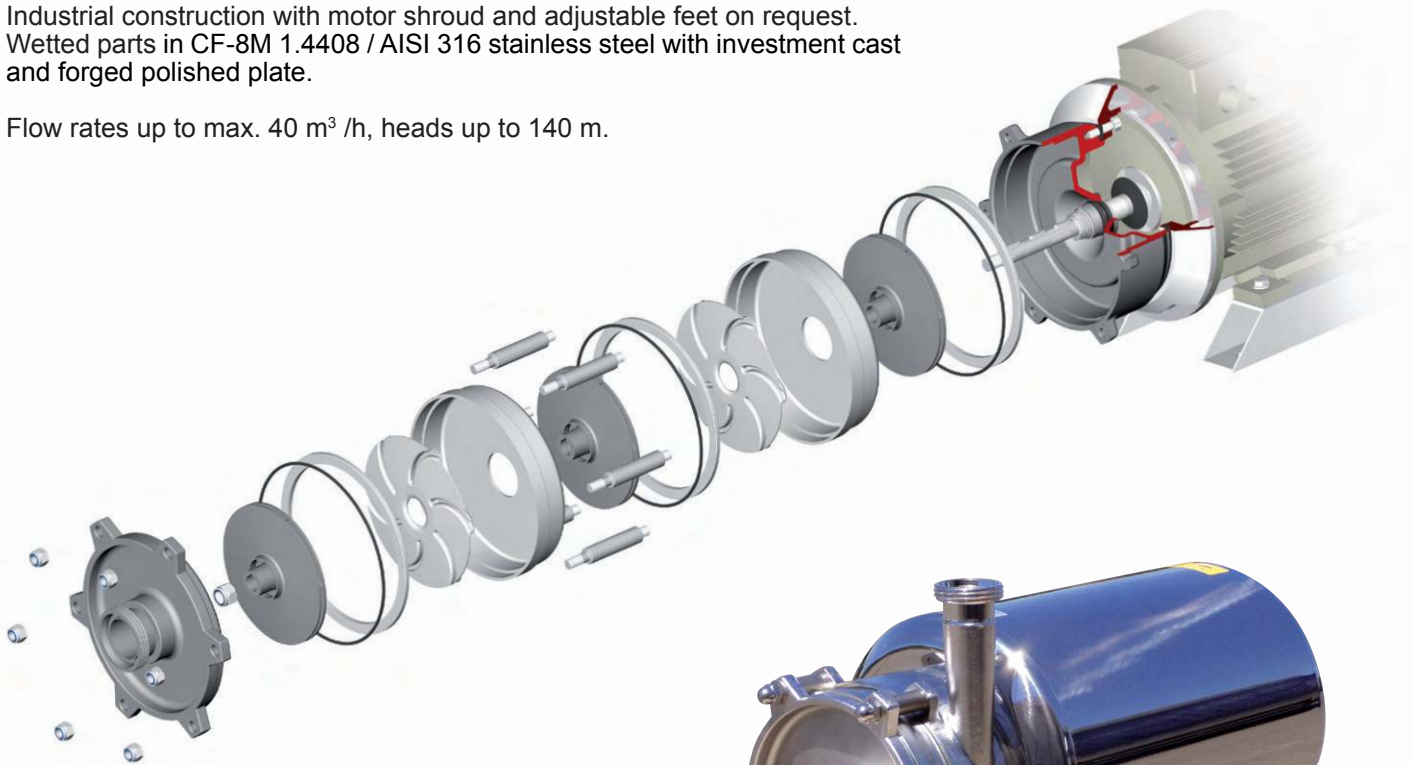
Standard design

Multistage centrifugal pumps with closed impeller for medium and high heads.
Closed coupled design with closed impellers, directly mounted on to the motor shaft.

Setting up in horizontal and vertical way for every requirement of installation.

Industrial construction with motor shroud and adjustable feet on request.
Wetted parts in CF-8M 1.4408 / AISI 316 stainless steel with investment cast and forged polished plate.

Flow rates up to max. 40 m³ /h, heads up to 140 m.



Seals:

Mechanical seals with seats to EN 12756,
ISO 3069 standards.
Single internal mechanical seal

Elastomers (certified to FDA):

EPDM
Fluorocarbon
Silicone
P.T.F.E. (FEP)

Connections:

DIN - SMS - IDF - BS / RJT - DS - CLAMP and EN 1092-1
PN16 flanges to suit most international standards.

Applications

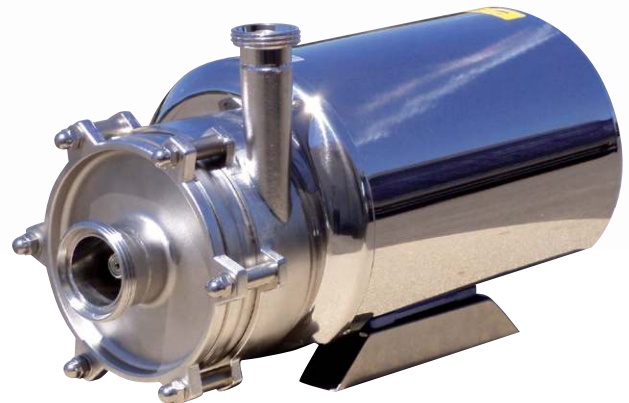
Suitable for industrial or foodstuffs applications where 316 stainless is necessary, but without any particular cleaning or sterility requirements.

These remarkably sturdy and cost effective pumps are perfect for applications where hygiene is of low importance.

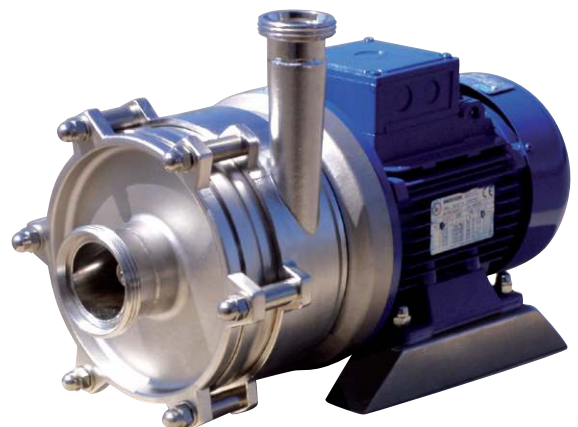
The closed impellers are not able to handle products which contain solids or highly viscous liquids.

Widely used in:

Cleaning & washing systems, Fluid Filtration, General Transfer,
Feeding, Water treatment

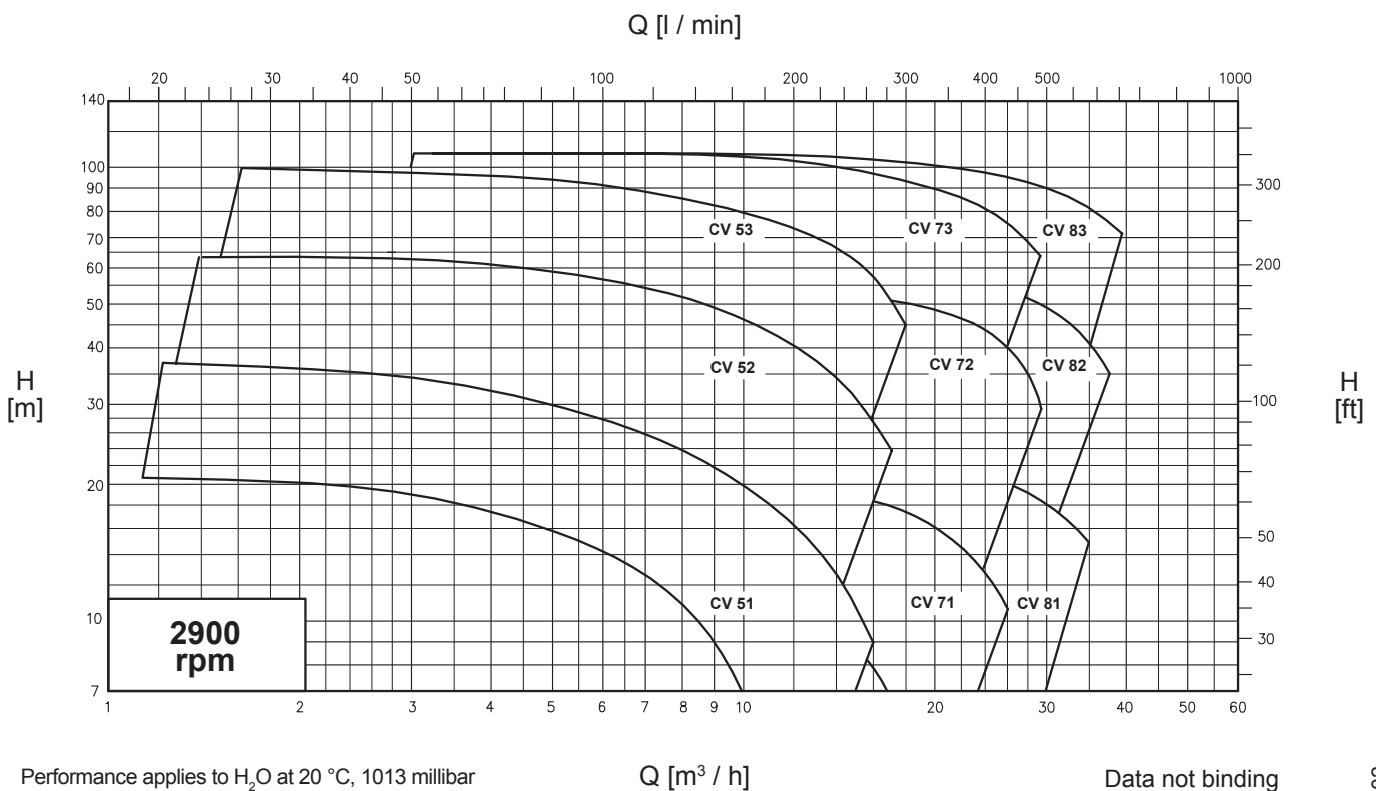
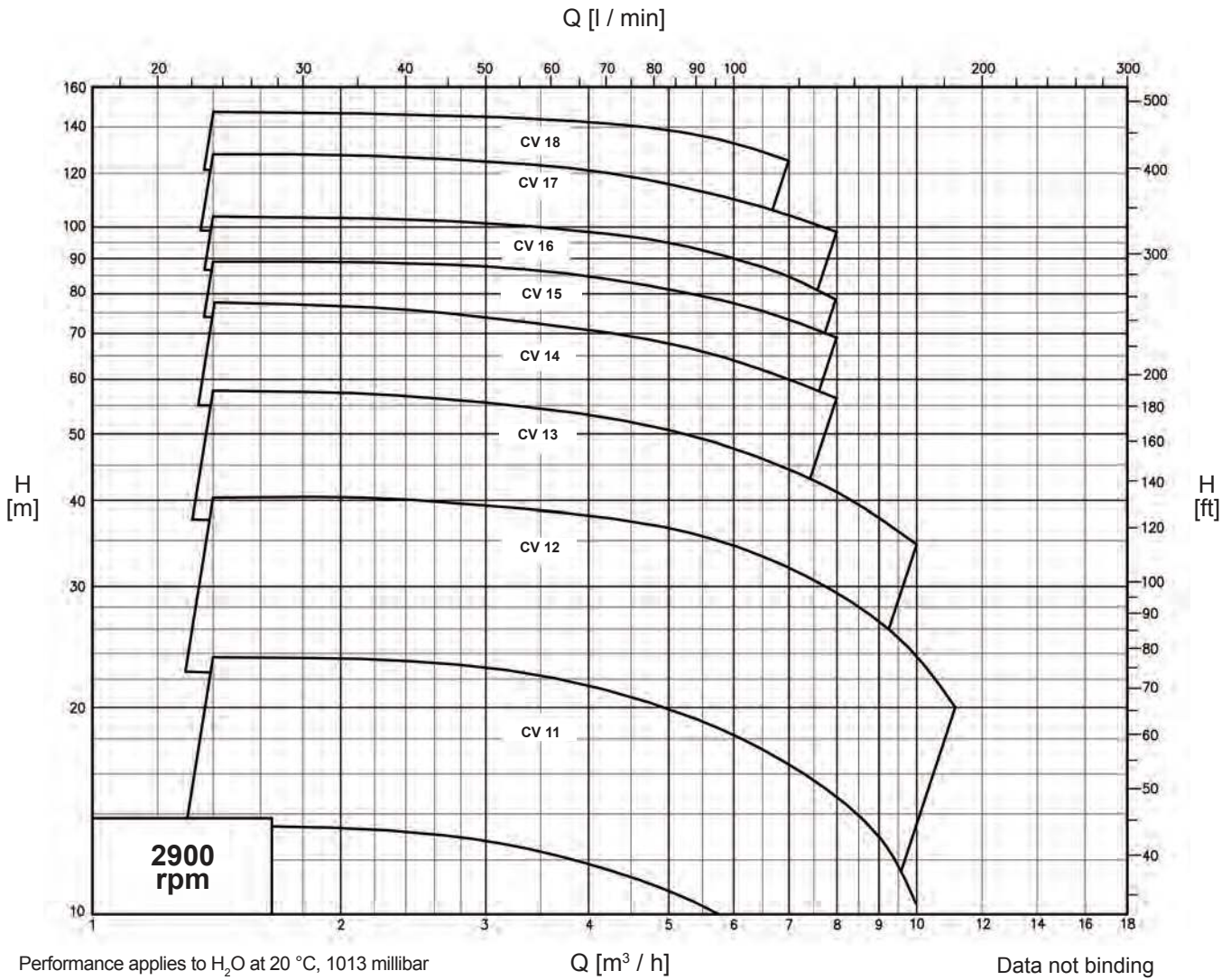


Multistage CV 52....82 pumps with shroud

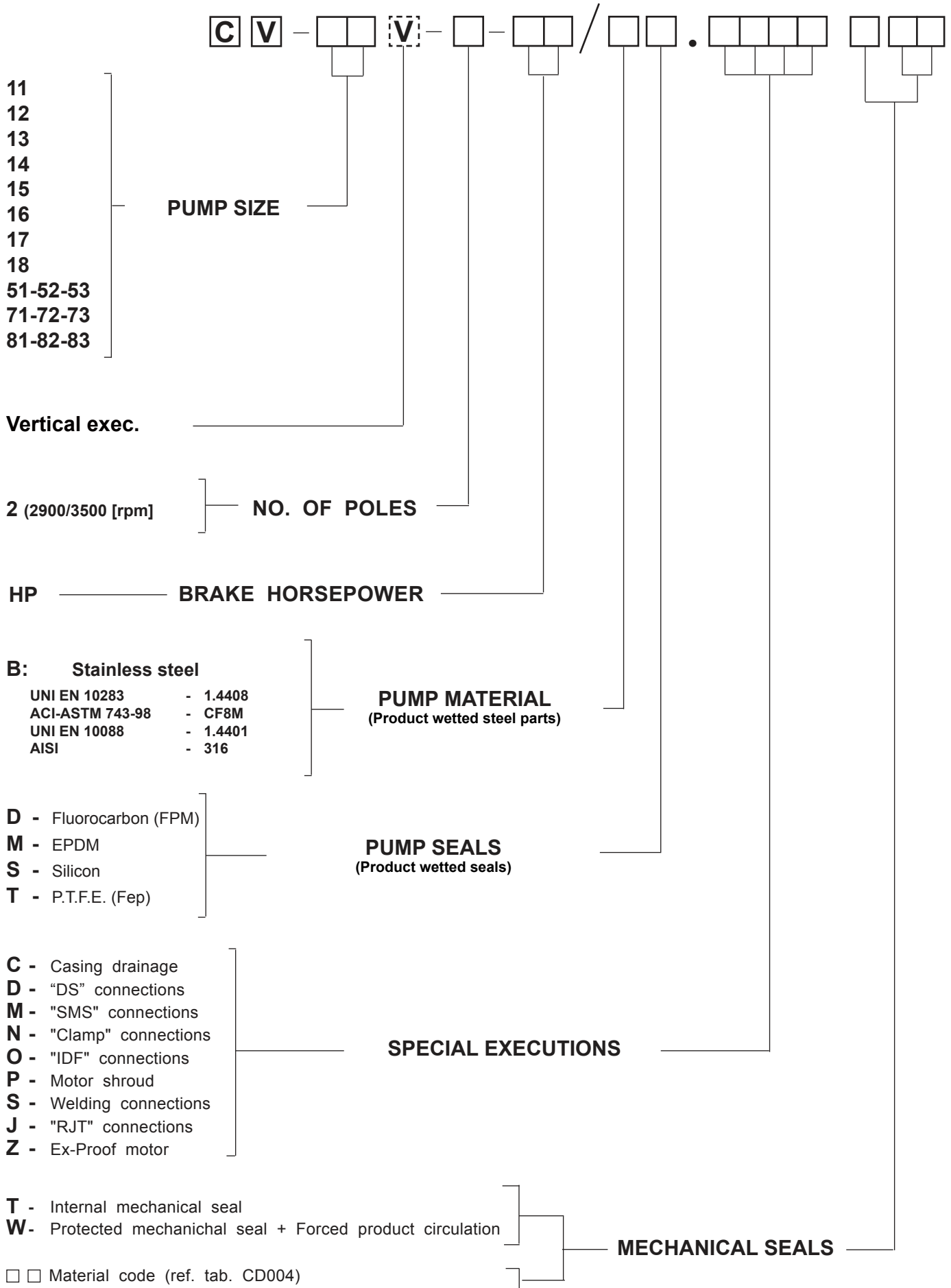


Multistage CV 52....82 pumps

GENERAL DIAGRAMS



PUMP CODES GUIDE



Example: **CV 83-2-25/BM.NT31**

MECHANICAL SEALS

Internal mechanical seals are fitted on CV pumps.

Thanks to the different materials available the customer can choose the most suitable versions depending on the product to be pumped, the temperatures and working performances.

MATERIAL CODES

METALS

H - Nickel-plated stainless steel AISI 304
X - Stainless steel AISI 316L

CARBONS

V - Normal carbon
Z - Special carbon

RESINS

5 - Normal PTFE
4 - Loaded PTFE
F - O-Ring FEP

METAL OXIDES

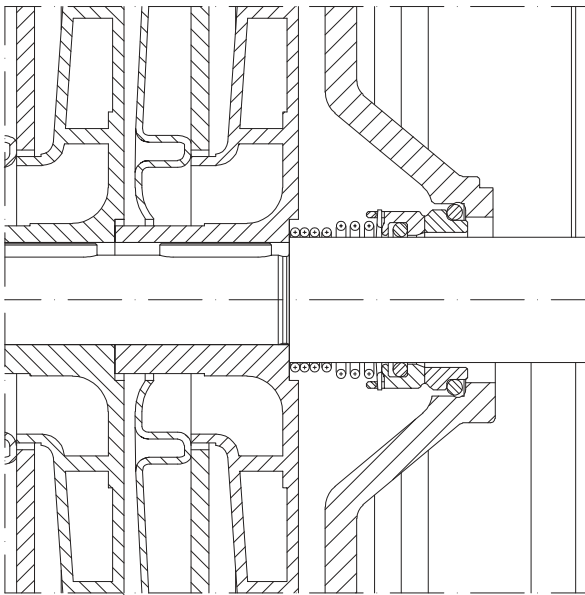
2 - Alumina ceramic

METAL CARBONS

3 - Hard metal welded on stainless steel (TUC)
R - Integral anti-corrosion hard metal (TUC)
K - Integral silicate carbon (SIC)

ELASTOMERS

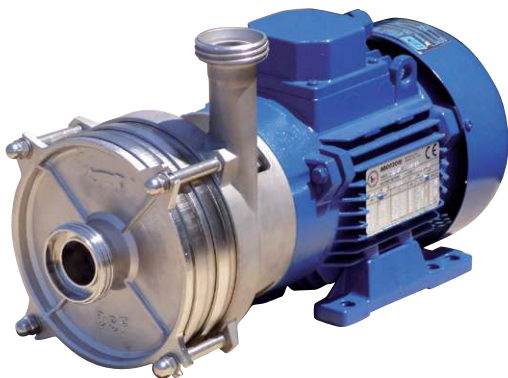
6 - Nitrile (NBR)
7 - Ethylene propylene (EPDM)
W - FPM for high T
Y - Fluorocarbon (FPM)
B - Silicone
Q - Chemraz
U - Kalrez



EXECUTION T

STANDARD MECHANICAL SEAL "T"

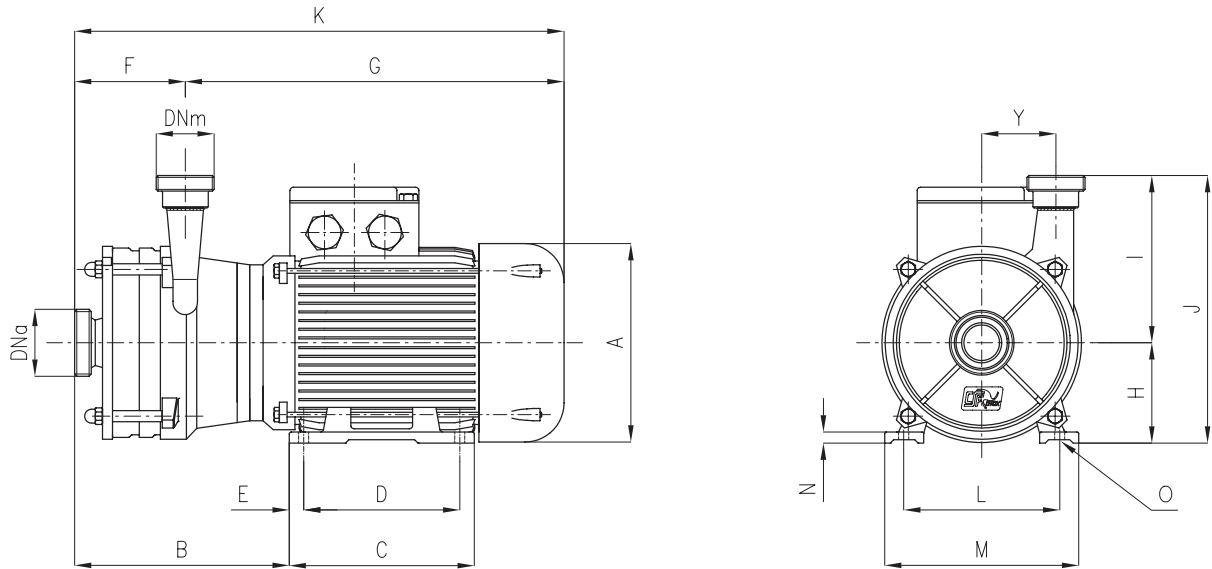
The standard version entails the installation of an internal mechanical seal, dipped in the product and fitted behind the impeller in a suitable conic chamber in order to ensure correct circulation conditions.



Horizontal multistage
CV 11....18 pumps

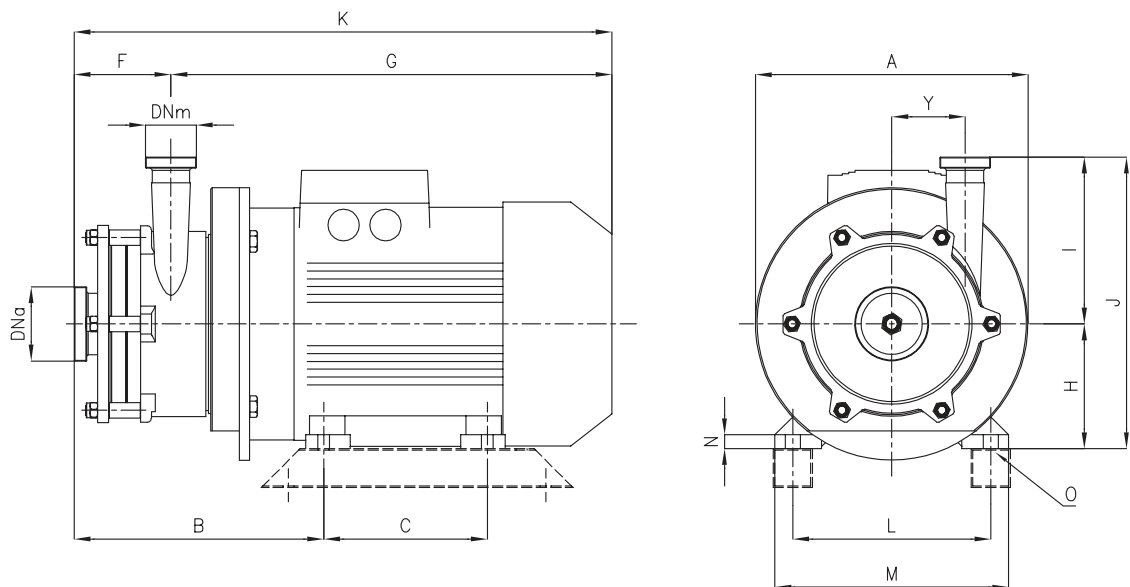
Multistage CV 11....18 pumps
vertical exec.





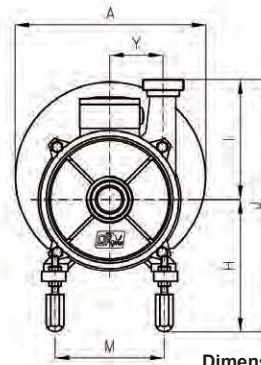
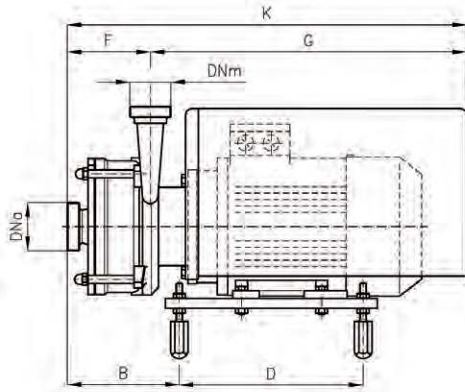
Dimensions not binding - DN = DIN 11851 male threaded connections

Pumps	2900 rpm	kW	DNa	DNm	A	B	C	D	E	F	G	K	H	J	I	L	M	N	O	P	Y	Weight
CV 11		1,1	32	25	162	155	118	100	9	56	314	370	90	240	150	125	150	8	9,5	-	65	
CV 12		1,5	32	25	181	182	143	100	12,5	80	314	394	90	240	150	140	165	10	10	-	65	
CV 13		2,2	32	25	181	206	143	100	12,5	104	337	441	90	240	150	140	165	10	10	-	65	
CV 14		3	32	25	202	236	176	140	13	128	337	465	100	240	150	160	196	12	12	-	65	



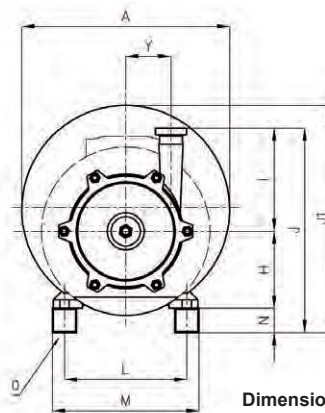
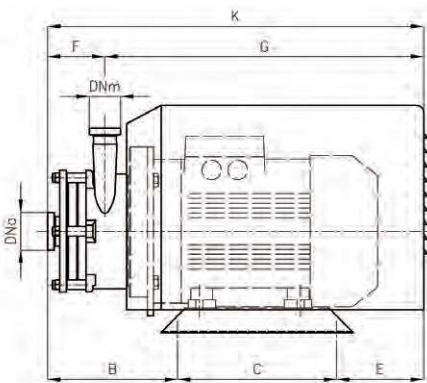
Dimensions not binding - DN = DIN 11851 male threaded connections

Pumps	2900 rpm	kW	DNa	DNm	ØA	B	C	F	G	H	I	J	K	L	M	N	O	Y	Weight
CV 51		2,2	50	40	200	224	100	80	378	90	214	304	458	140	160	10	14	94	
CV 52		4	50	40	250	277	140	119	403	100	214	314	522	190	195	12	16	94	
CV 53		7,5	50	40	250	316	140	158	418	112	214	326	576	216	220	15	16	94	
CV 71		4	50	40	250	238	140	80	403	100	214	314	483	190	195	12	16	94	
CV 72		7,5	50	40	250	277	140	119	418	112	214	326	537	216	220	15	16	94	
CV 73		11	50	40	300	331	210	158	469	132	214	346	627	254	260	18	19	94	
CV 81		5,5	65	40	250	243	140	85	418	112	214	326	503	216	220	15	16	94	
CV 82		11	65	40	300	297	210	124	469	132	214	346	593	254	260	18	19	94	
CV 83		18,5	65	40	300	336	210	163	524	132	214	346	687	254	260	18	19	94	



Dimensions not binding - DN = DIN 11851 male threaded connections

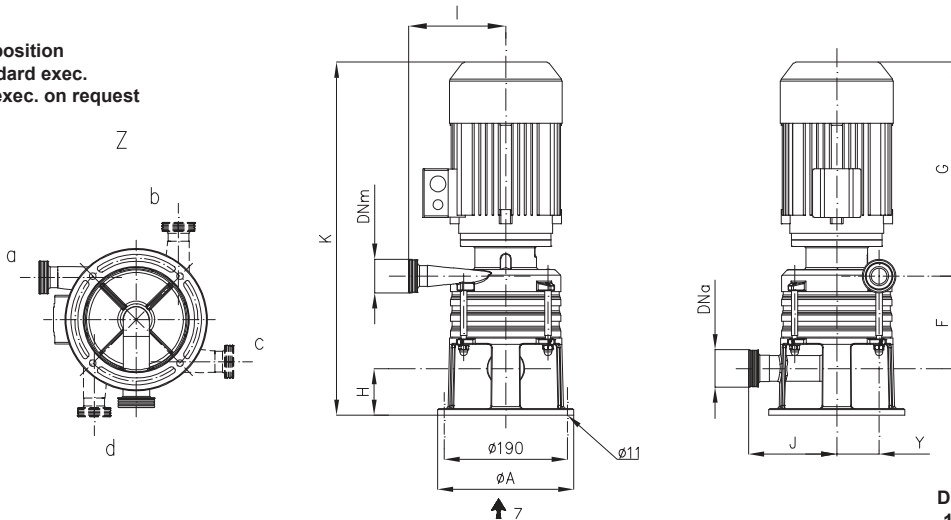
Pumps	2900 r.p.m.	kW	DNa	DNm	ØA	B	D	F	G	H	I	K	J	M	Y	Weight
CV 11		1,1	32	25	238,5	92	230	56	395	178	150	451	315	136,5	65	
CV 12		1,5	32	25	238,5	118	230	80	395	178	150	477	315	136,5	65	
CV 13		2,2	32	25	238,5	140	230	104	395	178	150	499	315	136,5	65	
CV 14		3	32	25	238,5	164	230	128	395	178	150	523	315	136,5	65	



Dimensions not binding - DN = DIN 11851 male threaded connections

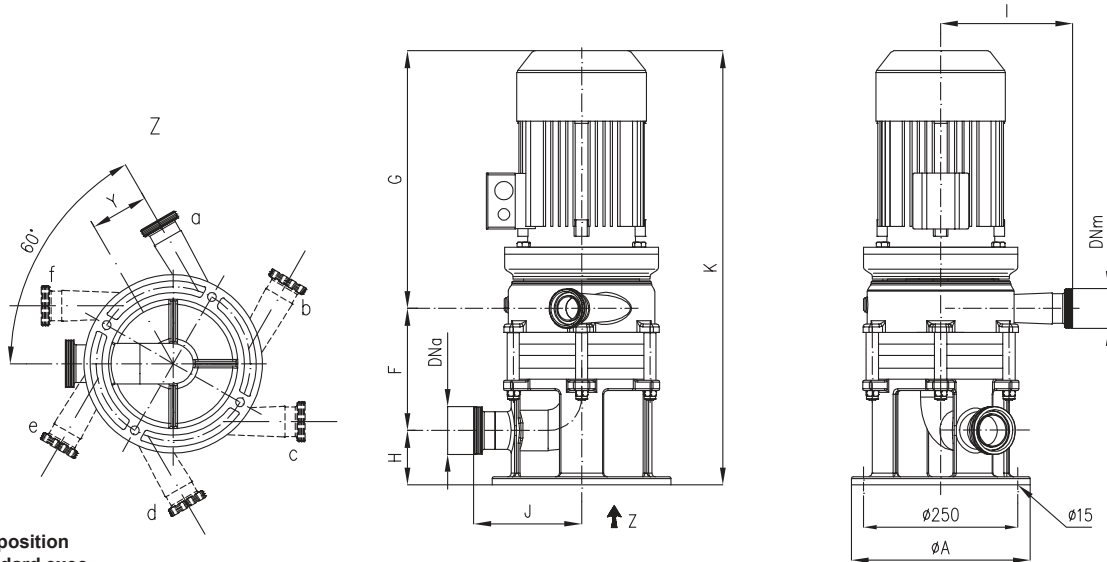
Pumps	2900 r.p.m.	kW	DNa	DNm	ØA	B	C	E	F	G	H	I	J	J1	K	L	M	N	O	Y	Weight
CV 51		2,2	50	40	298	186,5	200	107,5	80	414	90	214	344	294	494	140	180	40	10	94	
CV 52		4	50	40	330	232	230	141	119	484	100	214	364	355	603	160	210	50	12	94	
CV 53		7,5	50	40	372	271	230	141	158	484	112	214	376	367	642	190	240	50	12	94	
CV 71		4	50	40	330	193	230	141	80	484	100	214	364	355	564	160	210	50	12	94	
CV 72		7,5	50	40	372	232	230	141	119	484	112	214	376	367	603	190	240	50	12	94	
CV 73		11	50	40	372	287	266	132	158	527	132	214	406	415	685	216	276	60	12	94	
CV 81		5,5	65	40	330	198	230	141	85	484	112	214	376	367	569	190	240	50	12	94	
CV 82		11	65	40	372	253	266	132	124	527	132	214	406	415	651	216	276	60	12	94	
CV 83		18,5	65	40	372	292	266	187	163	582	132	214	406	415	745	216	276	60	12	94	

Outlet port position
ref. a = standard exec.
ref. b-c-d = exec. on request



Dimensions not binding - DN = DIN 11851 male threaded connections

Pumps	2900 r.p.m.	kW	DNa	DNm	A	F	G	H	I	J	K	Y	Weight
CV 11 V		1,1	32	25	220	69	316	71	150	136	456	65	
CV 12 V		1,5	32	25	220	93	316	71	150	136	480	65	
CV 13 V		2,2	32	25	220	117	346	71	150	136	534	65	
CV 14 V		3	32	25	220	141	346	71	150	136	558	65	
CV 15 V		4	32	25	220	165	371	71	150	136	607	65	
CV 16 V		4	32	25	220	189	371	71	150	136	631	65	
CV 17 V		5,5	32	25	220	213	386	71	150	136	670	65	
CV 18 V		5,5	32	25	220	237	386	71	150	136	694	65	



Outlet port position
ref. a = standard exec.
ref. b-c-d-e-f = exec. on request

Dimensions not binding - DN = DIN 11851 male threaded connections

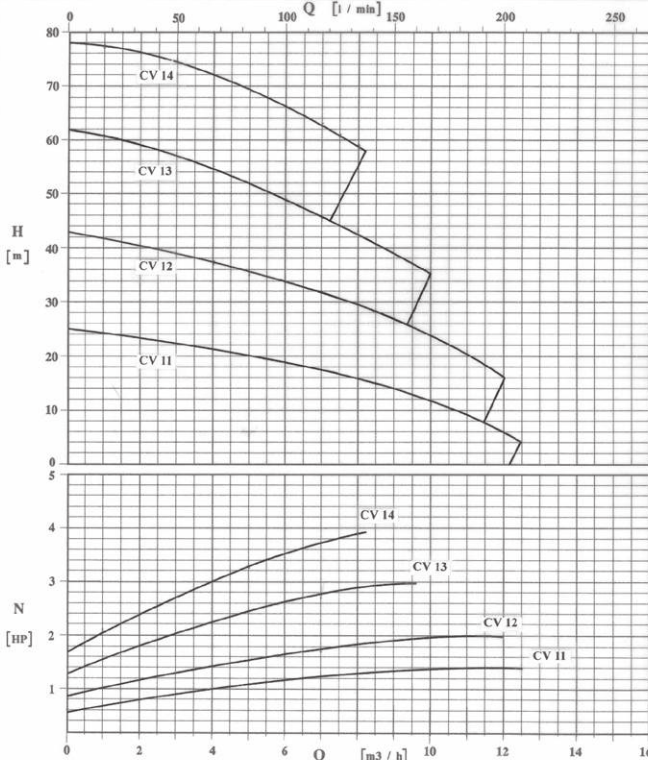
Pumps	2900 r.p.m.	kW	DNa	DNm	ØA	F	G	H	I	J	K	Y	Weight	
CV 51 V		2,2	50	40	290	120	378	88	214	175	586	94		
CV 52 V		4	50	40	290	159	403	88	214	175	650	94		
CV 53 V		7,5	50	40	290	198	418	88	214	175	704	94		
CV 71 V		4	50	40	290	120	403	88	214	175	611	94		
CV 72 V		7,5	50	40	290	159	418	88	214	175	665	94		
CV 73 V		11	50	40	290	198	511	88	214	175	797	94		
CV 81 V		-	-	-	-	-	-	-	-	-	-	-	-	
CV 82 V		-	-	-	-	-	-	-	-	-	-	-	-	
CV 83 V	-	-	-	-	-	-	-	-	-	-	-	-		

CURVE CARATTERISTICHE PERFORMANCE CURVES

Serie CV CV Series

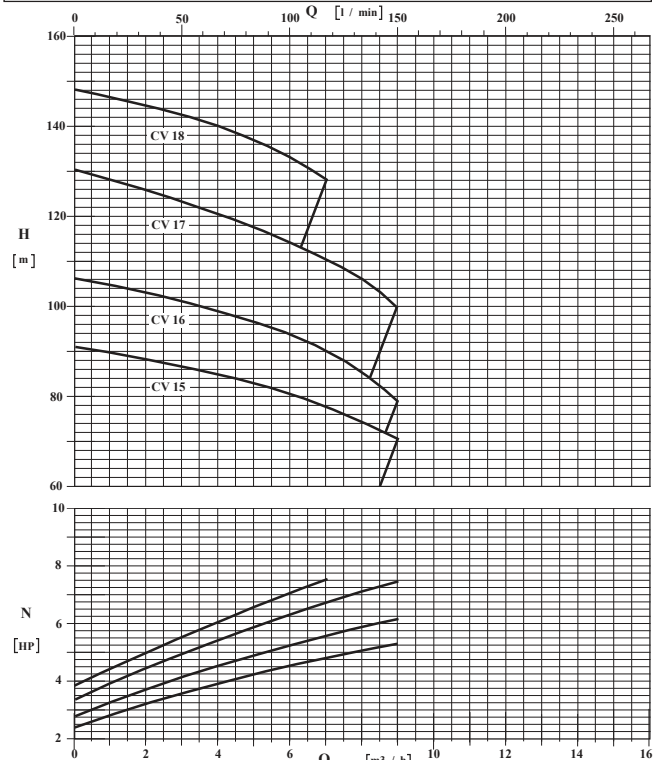
POMPA TIPO		CV 11 - 12 - 13 - 14				n	2900	giri / min
Pump type						r.p.m.		
GIRANTE - Impeller								
TIPO	N° di pale	Pass. sferico	Ø max	Ø min	Bocche tipo	Bocca aspir.	DN 32	
Type	n° of vanes	max. sphere	max. diameter	min. diameter	Ports type	Suction port	Discharge port	
CHIUSA	6	2 mm	133 mm	mm	DIN 11851	DN 25	DN 25	

CARATTERISTICHE DI FUNZIONAMENTO CON ACQUA PULITA A 20°C - PESO SPECIFICO 1 (kg/dm3)
Curves show performance with clear water at 70°F - Specific gravity 1 (kg/dm3)



POMPA TIPO		CV 15 - 16 - 17 - 18				n	2900	giri / min
Pump type						r.p.m.		
GIRANTE - Impeller								
TIPO	N° di pale	Pass. sferico	Ø max	Ø min	Bocche tipo	Bocca aspir.	DN 32	
Type	n° of vanes	max. sphere	max. diameter	min. diameter	Ports type	Suction port	Discharge port	
CHIUSA	6	2 mm	133 mm	mm	DIN 11851	DN 25	DN 25	

CARATTERISTICHE DI FUNZIONAMENTO CON ACQUA PULITA A 20°C - PESO SPECIFICO 1 (kg/dm3)
Curves show performance with clear water at 70°F - Specific gravity 1 (kg/dm3)

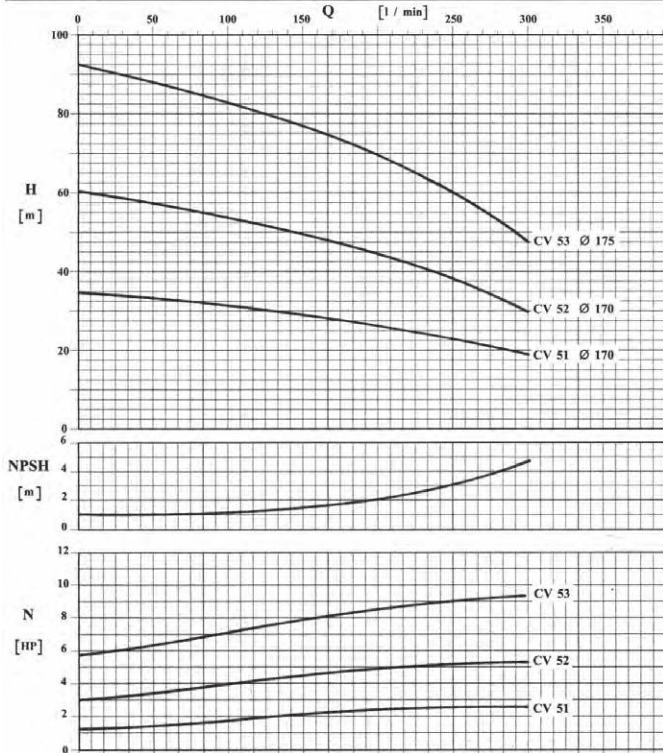


CURVE CARATTERISTICHE PERFORMANCE CURVES

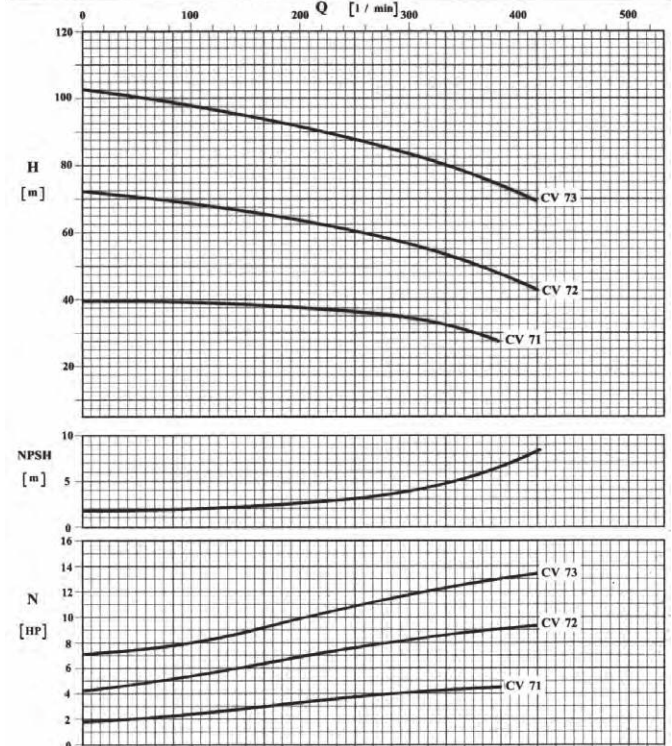
Serie CV CV Series

2900 giri/min - 2900 rev/min

POMPA TIPO Pump type		CV 51 - 52 - 53			n	2900	giri / min r. p. m.
GIRANTE - Impeller							
TIPO Type	N° di pale n° of vanes	Pass. sferico max. sphere	Ø max max. diameter	Ø min min. diameter	Bocche tipo Ports type	Bocca aspir. Suction port	DN 50
CHIUSA	6	2 mm	* mm	mm	DIN 11851	Bocca mand. Discharge port	DN 40
CARATTERISTICHE DI FUNZIONAMENTO CON ACQUA PULITA A 20°C - PESO SPECIFICO 1 (kg/dm³) Curves show performance with clear water at 70°F - Specific gravity 1 (kg/dm³)							



POMPA TIPO Pump type		CV 71 - 72 - 73			n	2900	giri / min r. p. m.
GIRANTE - Impeller							
TIPO Type	N° di pale n° of vanes	Pass. sferico max. sphere	Ø max max. diameter	Ø min min. diameter	Bocche tipo Ports type	Bocca aspir. Suction port	DN 50
CHIUSA	6	4,6 mm	175 mm	mm	DIN 11851	Bocca mand. Discharge port	DN 40
CARATTERISTICHE DI FUNZIONAMENTO CON ACQUA PULITA A 20°C - PESO SPECIFICO 1 (kg/dm³) Curves show performance with clear water at 70°F - Specific gravity 1 (kg/dm³)							



POMPA TIPO Pump type		CV 81 - 82 - 83			n	2900	giri / min r. p. m.
GIRANTE - Impeller							
TIPO Type	N° di pale n° of vanes	Pass. sferico max. sphere	Ø max max. diameter	Ø min min. diameter	Bocche tipo Ports type	Bocca aspir. Suction port	DN 65
CHIUSA	6	7 mm	177 mm	mm	DIN 11851	Bocca mand. Discharge port	DN 40
CARATTERISTICHE DI FUNZIONAMENTO CON ACQUA PULITA A 20°C - PESO SPECIFICO 1 (kg/dm³) Curves show performance with clear water at 70°F - Specific gravity 1 (kg/dm³)							

