



PERIPHERAL IMPELLER PUMPS

CP series



Closed coupled single stage peripheral impeller pumps suitable for clean, non abrasive liquids without solids and viscosities up to max. 250 cP.

The special design of casing and impeller is suitable for duties with medium-high heads and low flow rates.

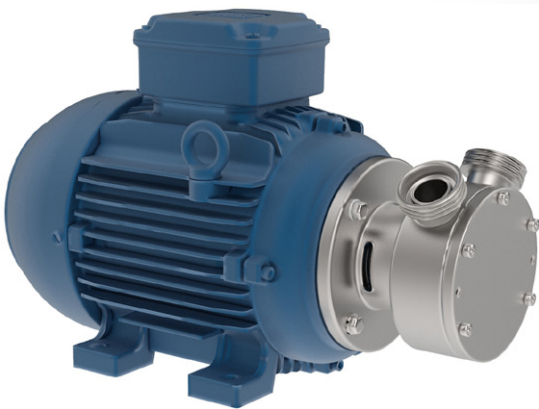
The pulsation-free flow is suitable for liquid dosing, laboratory micro installations, spraying and in-line measurement systems.

Wetted parts from AISI 316L (1.4404) stainless steel rolled bar, electro-chemically polished for a perfect surface finish.



CP pump with shroud and stainless steel adjustable feet

Pump with B34 motor



Applications:

Food processing, dairy, beverage and syrups, oils, liqueurs and CIP duties.

Chemical industry, acid and basic solutions.

Cosmetic and pharmaceutical industry.

TECHNICAL DATA

Flow rates up to 6 m³/h

Heads up to 100 m

Maximum operating pressure 16 bar up to 100°C

Temperature range -10°+ +100°

Mechanical seals:

Mechanical seals standardized to EN 12756, ISO 3069 standards

Single internal seal

Double flushed sea

Elastomers (FDA Regulation (EC) No. 1935/2004):

Nitrile (NBR)

Ethylene propylene (EPDM)

Special fluorocarbon seal

Fluorocarbon seal (FPM - FKM)

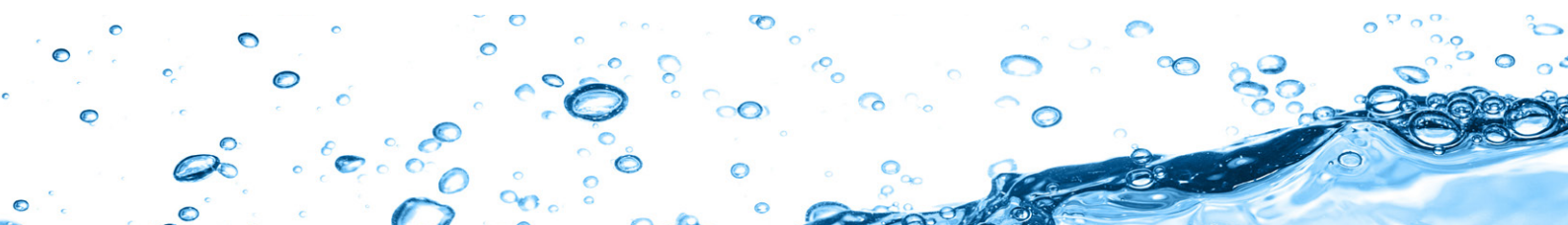
FEP

FFPM - FFKM

Silicone

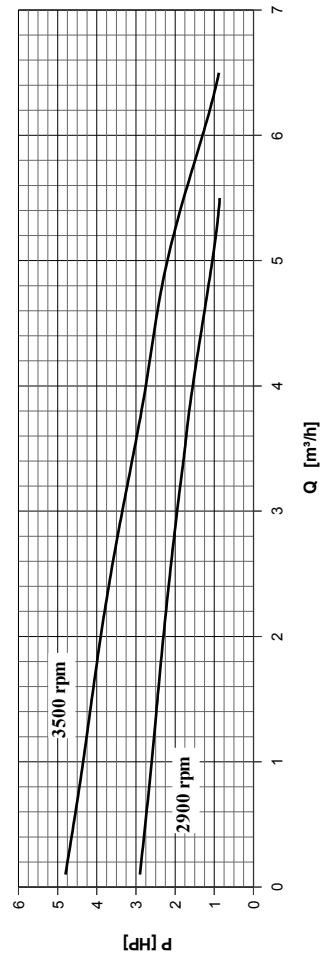
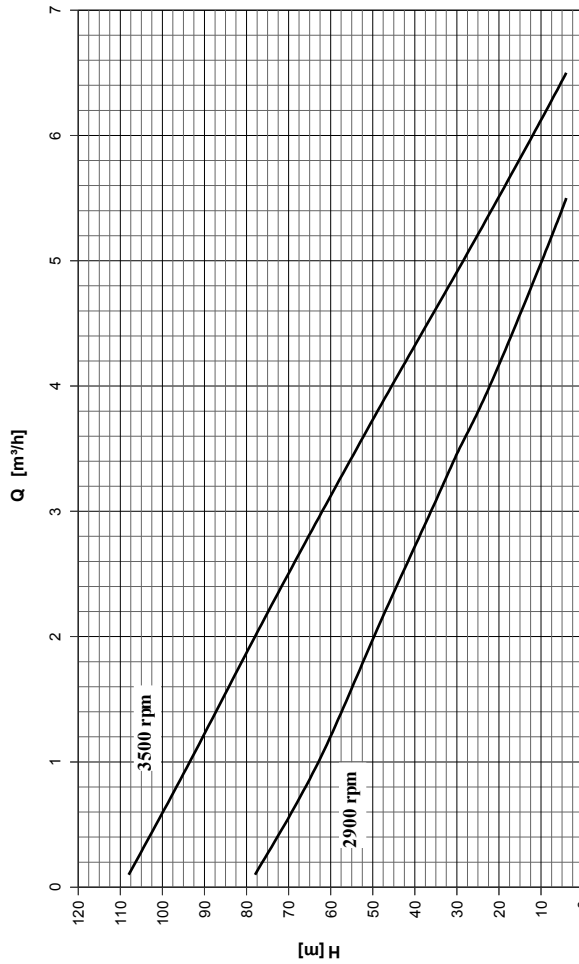
Connections:

DIN - SMS - IDF - BS / RJT - DS - CLAMP suitable for all international standards.

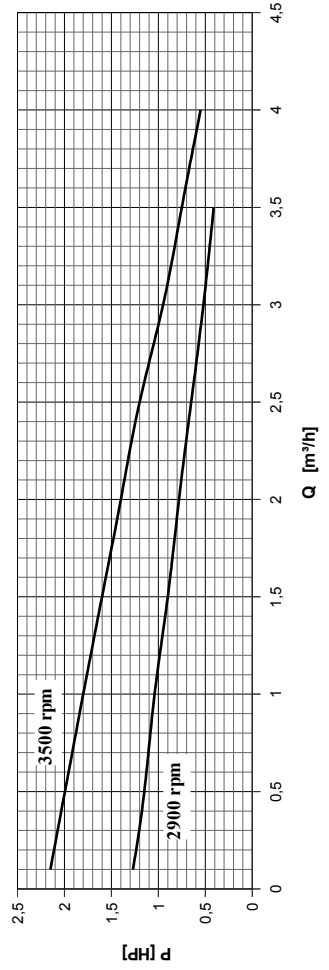
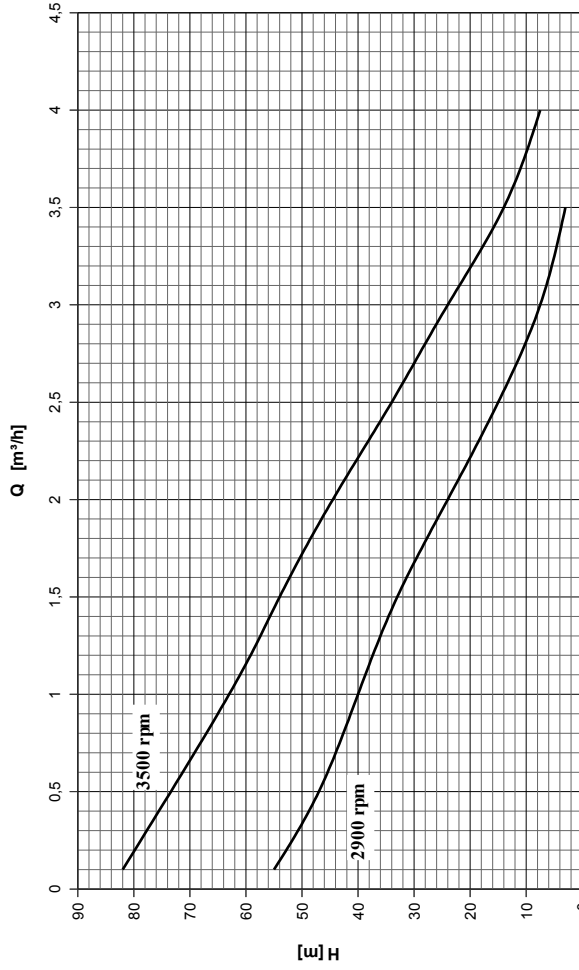


PERFORMANCE CURVES

POMPA TIPO Pump type		CP 25		n 2900/3500		giri/min r.p.m.	
GIRANTE ----- Impeller							
TIPO Type	N° di pale n° of blades	Pass. sferico max. sphere	Ø max max. diameter	Ø min min. diameter	Bocche tipo Ports type	Bocca aspir. Suction port	DN 25
APERTA	32	80 mm	80 mm	--- mm	DIN 11851	Bocca mand. Discharge port	DN 25
CARATTERISTICHE DI FUNZIONAMENTO CON ACQUA PULITA A 20 °C - PESO SPECIFICO 1 Kg/dm³ <i>Curves show performance with clear water at 70 °F - Specific gravity 1 Kg/dm³</i>							



POMPA TIPO Pump type		CP 15		n 2900/3500		giri/min r.p.m.	
GIRANTE ----- Impeller							
TIPO Type	N° di pale n° of blades	Pass. sferico max. sphere	Ø max max. diameter	Ø min min. diameter	Bocche tipo Ports type	Bocca aspir. Suction port	DN 15
APERTA	36	74 mm	74 mm	--- mm	DIN 11851	Bocca mand. Discharge port	DN 15
CARATTERISTICHE DI FUNZIONAMENTO CON ACQUA PULITA A 20 °C - PESO SPECIFICO 1 Kg/dm³ <i>Curves show performance with clear water at 70 °F - Specific gravity 1 Kg/dm³</i>							



Peripheral impeller made from AISI 316L (1.4404) stainless steel rolled bar. On request special anti-friction stainless alloy is available.

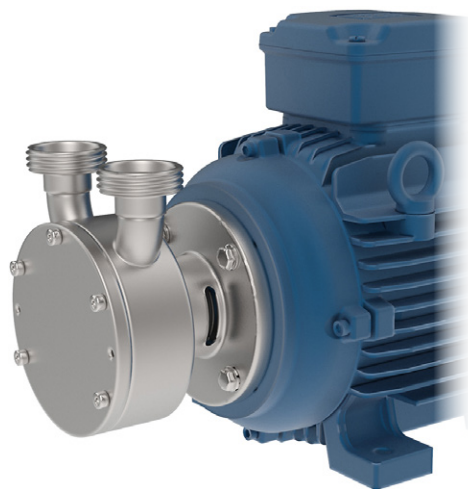


EXECUTION

**“V”
STANDARD**



**“T”
WITH HORIZONTAL PORTS**



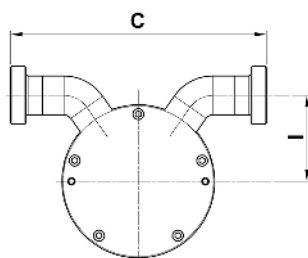
**“U”
WITH VERTICAL PORTS**

OVERALL DIMENSIONS

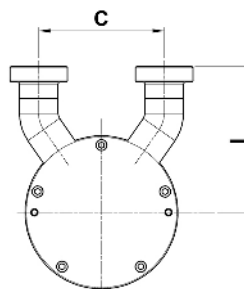
Dimensions not binding - DN = DIN 11851 male threaded connections, with standard IEC/EN motors

PORTS VERSIONS

Horizontal ports		
	I	C
CP 15	60,5	157,5
CP 25	72	202,2

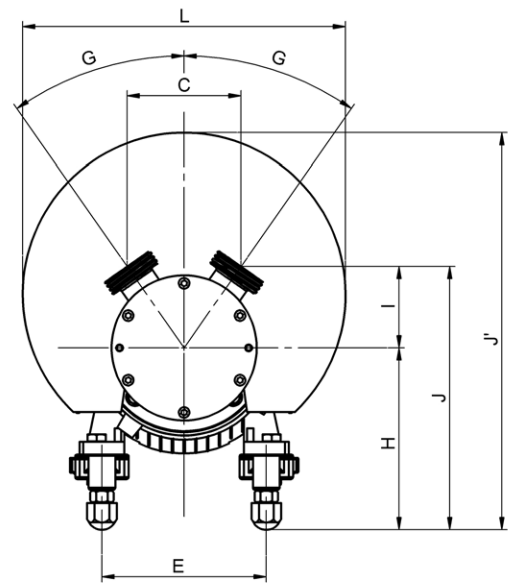
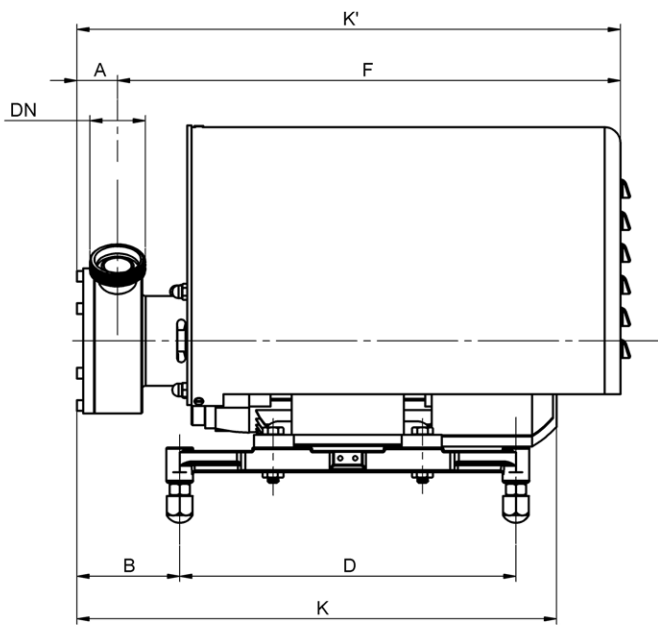


HORIZONTAL

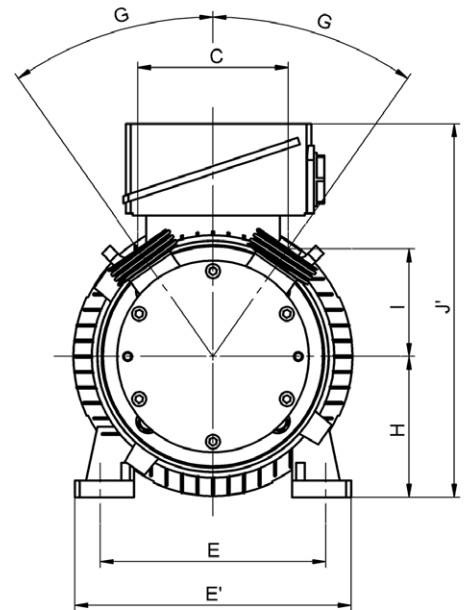
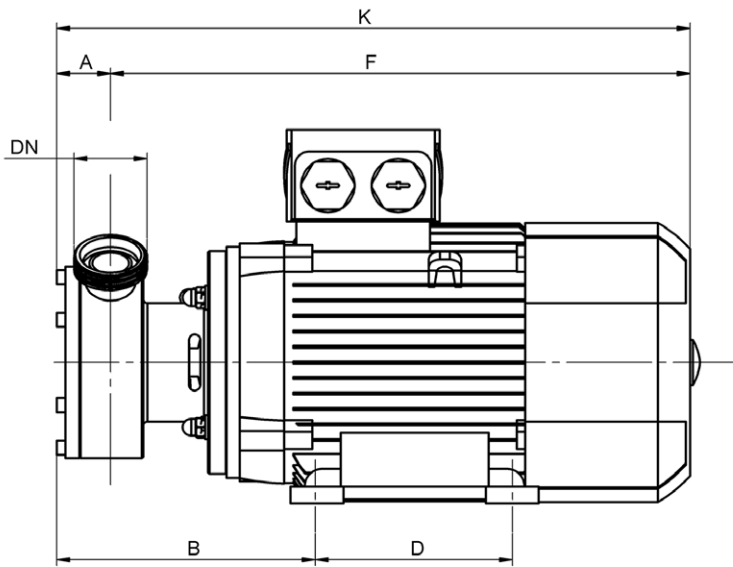


VERTICAL

Vertical ports		
	I	C
CP 15	85,5	77,5
CP 25	107	90,5



Pumps	Motors Kw	DNa	DNm	A	B	C	D	E	F	G	H	K	K'	I	J	J'	L											
CP 15	1,1	15	15	32	107	90,5	270	140	400	35°	158	400	433	63,5	221,5	361	302,5											
	1,5																											
	2,2																											
CP 25	2,2	25	25	39	104,5	107	270	140	402									158	400	440	76	234	361					
	3				96		315											154				472		170	450	510	246	371
	4																											



Pumps	Motors Kw	DNa	DNm	A	B	C	D	E	E'	F	G	H	K	ØR	I	J											
CP 15	1,1	15	15	32	179	90,5	125	140	170	362	35°	90	395	10	63,5	218											
	1,5																										
	2,2																										
CP 25	2,2	25	25	39	176	107	125	140	170	365							158	400	10	76	246						
	3				183,5		140										160					193	411	100	450	12	265
	4																										



C.S.F. Inox S.p.A. Strada per Bibbiano, 7 - 42027 Montecchio E. (RE) - ITALY EU

Ph +39.0522.869911 r.a. - Fx +39.0522.865454 - italia@csf.it - www.csf.it

Export Department • Commercial Étranger • Comercial Extranjero

Ph +39.0522.869922 - Fx +39.0522.869841 - export@csf.it - www.csf.it



All the instructions, data and representations (in whatever way executed) listed in this publication are indicative and do not binding. C.S.F. does not stand surety or undertake any obligation for the utilisation of this document and for the information contained. In particular, it does not guarantee against omissions or errors of the data and drawings here indicated. Notice that the technical specifications, information and representations in this document are merely indicative and approximate. C.S.F. INOX reserves the right at any moment and without notice to modify the data, drawings and information indicated in this document.