

Float & Thermostatic Steam Traps

Model: FTH-10

FLOAT & THERMOSTATIC STEAM TRAPS

Bestobell Steam's FTH-10 Series float and thermostatic steam traps are designed to freely remove large quantities of condensate from systems where dirt and oil are not excessive. They can be found on: receivers, separators, intercoolers, reservoirs, and drip legs.

How It Works:

When steam is turned on, the float is resting in its lowest position with the valve closed. Condensate entering the trap does not begin to lift the float until the valve seat is covered. After this level is reached, any further addition of condensate will raise the float, the higher the level the greater the valve opening. Bestobell's FTH-10 Series steam traps are designed to modulate the flow of condensate with the rise and fall of the float as changes in condensate level occur within the trap cover. All working parts of the trap are attached to the body casting for easy repair access. Designed for inline servicing, the unit may be inspected and parts replaced without breaking any pipe connections.

- Straight through body design which eliminates staggered piping usually associated with this type of seat trap
- All parts are in-line replaceable and repairable
- Steam cannot reach condensate discharge valve with normal, clean operation



ORDERING SCHEMATIC

MODEL	6	7	8
FTH-10			

6	SIZE
2	1/2"
3	3/4"
4	1"
6	1-1/2"
7	2"

7	CONNECTION
1	NPT

8	MAX DIFFERENTIAL PRESSURE
65	65 psi
145	145 psi
200	200 psi



A Division of
Richards Industries
3170 Wasson Road
Cincinnati, OH 45209

toll free. 800.543.7311
local. 513.533.5600
fax. 513.871.0105

steam@richardsind.com
www.bestobellsteamtraps.com

SINGLE INLET / SINGLE OUTLET F & T TRAPS
SPECIFICATIONS

Maximum Differential Pressure: 65/145/200 psi (5/10/14 bar)

Maximum Operating Temperature: 400°F (204°C)

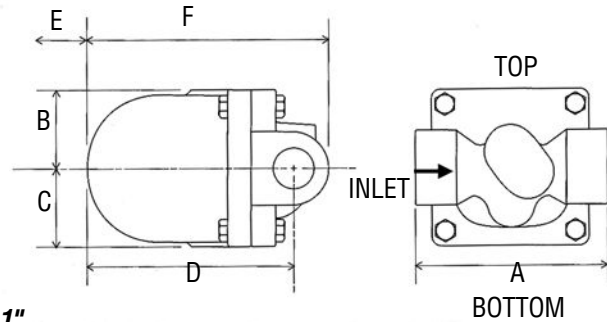
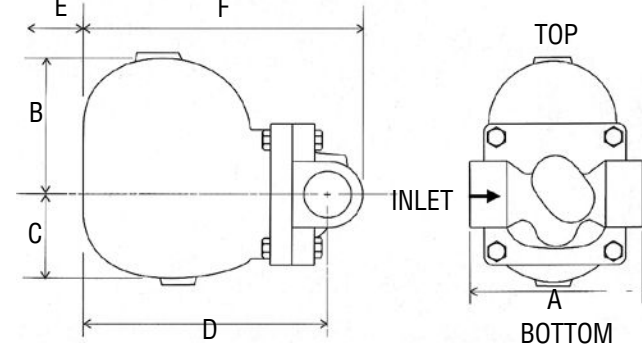
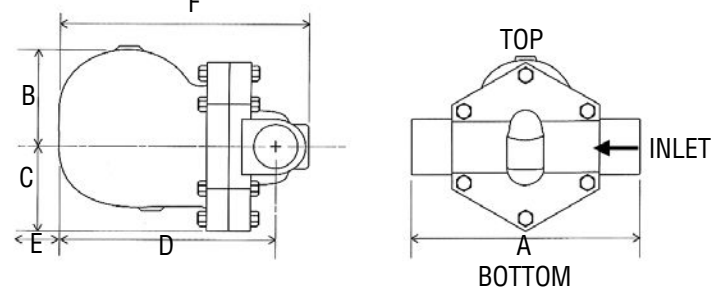
Maximum Allowable Pressure: 250 psig (17 bar)

Maximum Allowable Temperature: 400°F (204°C)

MATERIALS

Body & Cover: Cast Iron, ASTM A48 Class 30

Internals: 304 SST

DIMENSIONS
1/2" & 3/4"

1"

1-1/2" & 2"


Dimensions							
1/2"	A	B	C	D	E	F	Wt
inches	5.06	213	2.13	5.69	4.94	6.69	10.5 lb
mm	128	54	54	145	110	170	4,8 kg
3/4"	A	B	C	D	E	F	Wt
inches	5.06	2.13	2.13	5.69	4.94	6.69	10.5 lb
mm	128	54	54	145	110	170	4,8 kg
1"	A	B	C	D	E	F	Wt
inches	5.06	4.94	2.94	7.50	6.94	8.50	18.7 lb
mm	128	110	75	190	110	216	8,5 kg
1-1/2"	A	B	C	D	E	F	Wt
inches	11.13	5.00	4.94	10.00	7.88	11.38	49.5 lb
mm	282	127	110	254	200	289	22,5 kg
2"	A	B	C	D	E	F	Wt
inches	12.13	5.50	5.00	10.25	7.88	11.81	61.6 lb
mm	308	140	127	260	200	300	28,0 kg

CAPACITY CHARTS: LBS. CONDENSATE PER HOUR

Size	Orifice Diameter	MDP*	Differential Pressure - PSI															
			PSIG	1	5	10	15	20	30	40	50	65	80	100	125	145	180	200
1/2"	0.14"	65	250	400	520	600	700	830	950	1000	1150							
	0.09"	145	135	210	280	330	380	420	480	520	580	630	700	750	800			
	0.08"	200	85	150	195	240	280	310	355	390	430	480	515	545	600	660	700	
3/4"	0.14"	65	250	400	520	600	700	830	950	1000	1150							
	0.09"	145	135	210	280	330	380	420	480	520	580	630	700	750	800			
	0.08"	200	85	150	195	240	280	310	355	390	430	480	515	545	600	660	700	
1"	0.26"	65	900	1550	2100	2500	3000	3650	4000	4500	5100							
	0.20"	145	385	660	910	1100	1300	1500	1750	1850	2050	2250	2700	2900	3100			
	0.18"	200	270	470	640	750	910	1100	1300	1400	1600	1750	1850	2100	2200	2600	2750	
1-1/2"	0.76"	65	2300	4200	6000	7500	8800	10500	12500	13500	15000							
	0.61"	145	1500	2800	3900	4800	5600	7000	8000	9000	10000	11500	13000	14200	15000			
	0.54"	200	1100	1800	2600	3200	3600	4200	5000	5450	6000	6900	7800	8600	9000	9650	10000	
2"	1.11"	65	7400	13500	19800	24000	28000	34000	40000	45000	50500							
	0.84"	145	3900	7300	10000	12300	14500	17500	20000	22500	26000	29000	32000	35000	40000			
	0.71"	200	1850	3500	5000	5900	6800	8400	9600	10500	12000	13500	15000	16500	17500	19000	20000	

* MDP = Maximum Differential Pressure