

# Mark 627 Series

## High Pressure Gas Regulators

The Jordan Mark 627 is a direct operated, pressure-reducing regulator is designed to provide tight shut-off and accurate regulation on low or high pressure systems. It can be used on air, natural gas or a variety of other gases.

### FEATURES

- Inlet pressures to 2000 psi (137,9 bar)
- Tight shutoff
- Tamper resistant protective cap
- 316 Stainless Steel orifice standard, multiple sizes

### SPECIFICATIONS

**Sizes:** 3/4" (DN20), 1" (DN25), 2" (DN50)

**End Connection:** FNPT (Contact factory for other options)

#### Materials of Construction:

##### Body, Bonnet and Diaphragm Case Options:

- WCB Body, Bonnet & Diaphragm Case
- Cast Ductile Iron Body / Aluminum Bonnet & Diaphragm Case
- WCB Body / Aluminum Bonnet & Diaphragm Case (NACE only)
- Steel Casing / LCC Body
- Aluminum Casing / LCC Body
- CF8M SS Body, Bonnet & Diaphragm Case

#### Diaphragm:

- Nitrile (low pressure)
- Neoprene (high pressure)

#### Seat:

- Nitrile
- Nylon
- Fluorocarbon

#### Orifice:

- Aluminum
- Stainless Steel (Nace only)



**Service:** Air and Gas

#### Temperature Range:

- WCB or Iron Body: -20°F to 180°F (-29°C to 82°C)
- CF8M Body: -40°F to 180°F (-40°C to 82°C)

#### Maximum Inlet Body Pressure:

Nylon Seat	2000 psig (138 bar)	Steel / SS
	1000 psig (69 bar)	Ductile Iron
	1485 psig (102 bar)	Flanged Steel
Nitrile Seat	1000 psig (69 bar)	All Units
Fluorocarbon Seat	300 psig (20,7 bar)	All Units

#### Reduced Pressure Control Ranges:

- 5 - 20 psig (0,34 - 1,38 bar)
- 15 - 40 psig (1,03 - 2,76 bar)
- 35 - 80 psig (2,41 - 5,52 bar)
- 10 - 95 psig (0,69 - 6,55 bar)
- 70 - 150 psig (4,84 - 10,34 bar)
- 140 - 250 (9,65 - 17,24 bar)
- 240 - 500 psig (16,55 - 34,47 bar)

#### Orifice Sizes (Interchangeable):

- 3/32" (2 mm), 1/8" (3 mm), 3/16" (5mm), 1/4" (6mm), 3/8" (10 mm), 1/2" (13 mm)



Jordan Valve, a division of Richards Industries  
3170 Wasson Road • Cincinnati, OH 45209  
513.533.5600 • 800.543.7311 • 513.871.0105 (f)  
info@richardsind.com • www.jordanvalve.com

MARK 627 HIGH PRESSURE REGULATORS

MARK 627 FLOW CAPACITIES OF NATURAL GAS (0.6 S.G.) IN SCFH<sup>1</sup>

Outlet Pressure Range	Outlet Pressure Setting		Inlet Pressure		3/4" Body Size						1" Body Size					
	PSIG	BAR	PSIG	BAR	Port Diameter, inches						Port Diameter, inches					
					3/32	1/8	3/16	1/4	3/8	1/2	3/32	1/8	3/16	1/4	3/8	1/2
5 to 20 PSIG <sup>2</sup> (0.34 to 1.4 BAR)	5 <sup>3</sup>	0.34	10	0.69	170	320	700	1060	1540	1900	170	330	710	1100	1900	2500
			15	1.0	240	330	810	1300	2150	3350	240	390	890	1600	2500	3350
			20	1.4	290	460	1140	1800	3050	4350	290	500	1160	2060	3400	4450
			30	2.1	380	610	1530	2490	3880	6850	380	670	1560	2800	4750	6900
			60	4.1	640	1170	2550	4240	6270	7370	640	1170	2600	4710	8140	13,700
			75	5.2	770	1410	3020	5100	6620	7700	770	1410	3150	5710	9790	14,500
	10	0.69	100	6.9	990	1800	3800	5980	7440	7900	990	1800	4070	7310	12,500	16,000
			15	1.03	210	320	800	1290	2100	3300	210	375	880	1590	2480	3300
			20	1.4	280	455	1130	1790	3000	4300	280	490	1150	2050	3380	4410
			30	2.1	380	610	1530	2480	3860	6830	380	670	1560	2800	4720	6840
			60	4.1	640	1170	2550	4240	6270	7370	640	1170	2600	4710	8140	13,700
			75	5.2	770	1410	3020	5100	6620	7700	770	1410	3150	5710	9790	14,500
			100	6.9	990	1800	3800	5980	7440	7900	990	1800	4070	7310	12,500	16,000
			150	10.3	1420	2580	5700	7130	8180	8200	1420	2580	5850	10,500	17,000	18,000
			200	13.8	1850	3370	6970	7250	8200	8300	1850	3370	7630	13,700	18,000	18,500
			300	20.7	2700	4910	8000	8050	8250		2700	4910	11,200	19,800	20,000	
			500	34.5	4010	8090	8060	8100			4400	8090	15,700	20,000		
			750	51.7	4400	8930	8950				5400	12,000	18,000			
			1000	69.0	4450	10,300					5800	14,000				
			1250	86.2	4540						6300					
	1500	103	4880						6600							
	1750	121	5230						6800							
	2000	138	5900						7600							
	20	1.4	30	2.1	350	620	1400	2490	4360	6290	350	620	1450	2580	4360	6290
			50	3.4	550	1000	2280	4010	7870	8500	550	1000	2280	4090	7870	14,100
			60	4.1	640	1170	2640	4680	8340	8940	640	1170	2640	4750	9690	14,500
			100	6.9	990	1800	3980	7220	11,500	12,600	990	1800	4070	7310	13,900	23,300
			150	10.3	1420	2580	5850	10,400	12,100	13,100	1420	2580	5850	10,500	17,700	34,200
			200	13.8	1850	3370	7340	12,000	13,200	13,700	1850	3370	7630	13,700	26,600	39,100
			300	20.7	2700	4910	11,200	13,000	15,600		2700	4910	11,200	20,100	37,000	
500			34.5	4400	8090	18,300	15,100			4400	8090	18,300	32,900			
750			51.7	6600	12,000	14,200				6600	12,000	23,600				
1000			69.0	7300	14,600					8900	16,000					
1250			86.2	7500						10,000						
1500			103	7800						10,400						
1750			121	8400						12,000						
2000			138	8600						14,000						
15 to 40 PSIG (1.0 to 2.8 BAR)	40	2.8	60	4.1	610	1090	2530	4350	8140	9420	610	1090	2530	4510	9290	9420
			75	5.2	760	1370	3080	5510	10,300	13,600	760	1370	3080	5640	10,800	16,500
			100	6.9	990	1790	4070	7220	13,200	15,300	990	1790	4070	7310	14,700	21,900
			150	10.3	1420	2580	5850	10,400	17,400	18,200	1420	2580	5850	10,500	20,500	34,500
			200	13.8	1850	3370	7630	13,500	18,000	18,500	1850	3370	7630	13,700	27,100	46,400
			300	20.7	2700	4910	11,200	18,500	20,000	20,700	2700	4910	11,200	20,100	40,100	67,100
			500	34.5	4400	8090	18,300	24,000	27,000		4400	8090	18,300	32,900	63,900	
			750	51.7	6600	12,000	23,000	24,200			6600	12,000	27,200	39,400		
			1000	69.0	8700	16,000	24,400				8700	16,000	36,100			
			1250	86.2	11,000	18,000					11,000	19,000				
			1500	103	12,000	21,000					13,000	22,000				
			1750	121	13,000						15,000					
			2000	138	14,000						17,000					
			35 to 80 PSIG (2.4 to 5.5 BAR)	60	4.1	75	5.2	700	1230	2760	4750	8620	15,200	700	1230	2760
100	6.9	970				1740	4010	6990	12,800	17,300	970	1740	4010	7000	13,000	19,300
150	10.3	1420				2580	5850	10,300	18,600	23,000	1420	2580	5850	10,500	18,900	32,800
200	13.8	1850				3370	7630	13,500	21,600	27,400	1850	3370	7630	13,700	24,000	42,200
300	20.7	2700				4910	11,200	19,800	26,100	30,100	2700	4910	11,200	20,100	32,500	69,100
500	34.5	4400				8090	18,300	28,100	28,900	33,400	4400	8090	18,300	32,900	64,000	94,300
750	51.8	6600				12,000	26,300	30,000	37,000	45,000	6600	12,000	27,200	43,380	66,000	130,000
80	5.5	1000		69.0	8700	16,000	30,000	31,200	37,400		8700	16,000	36,100	50,300	67,700	
		1250		86.2	11,000	19,000	31,600	34,000			11,000	19,000	45,000	57,000		
		1500		103	13,000	22,000	30,400	36,000			13,000	22,000	54,000	63,000		
		1750		121	15,000	25,000	34,000				15,000	25,000	63,000			
		2000		138	17,000	28,000					17,000	28,000				
		100		5.2	900	1600	3750	6490	12,200	17,300	900	1600	3750	6650	12,200	18,600
		150		10.3	1410	2580	5850	10,200	19,600	25,700	1410	2580	5850	10,500	21,100	33,600
200	13.8	1850	3370	7630	13,500	25,400	29,300	1850	3370	7630	13,700	28,400	44,100			
300	20.7	2700	4910	11,200	19,800	32,700	33,500	2700	4910	11,200	20,100	43,300	75,400			
500	34.5	4400	8090	18,300	31,900	36,000	36,700	4400	8090	18,300	32,900	71,600	110,000			
750	51.8	6600	12,000	27,200	35,000	44,000	46,000	6600	12,000	27,200	48,900		135,000			
1000	69.0	8700	16,000	36,100	38,000	56,200		8700	16,000	36,100	64,900					
1250	86.2	11,000	19,000	37,000	40,000			11,000	19,000	45,000	80,000					
1500	103	13,000	22,000	38,000	44,000			13,000	22,000	54,000	96,000					
1750	121	15,000	25,000	42,000				15,000	25,000	63,000						
2000	138	17,000	28,000					17,000	28,000							

1. Capacity is based on 20 percent droop unless otherwise noted below.  
 2. For pressure setting under 10 PSIG (0.69 BAR) limit the input pressure to 100 PSIG (6.9 BAR) to obtain the setpoint.  
 3. For 5 PSIG (0.34 BAR) pressure set point, the droop is 2 PSIG (0.14 BAR)

MARK 627 HIGH PRESSURE REGULATORS

MARK 627 FLOW CAPACITIES OF NATURAL GAS (0.6 S.G.) IN SCFH<sup>1</sup>

Outlet Pressure Range	Outlet Pressure Setting		Inlet Pressure		3/4" Body Size						1" Body Size					
	PSIG	BAR			Port Diameter, inches						Port Diameter, inches					
					3/32	1/8	3/16	1/4	3/8	1/2	3/32	1/8	3/16	1/4	3/8	1/2
70 to 150 PSIG (4.8 to 10.3 BAR)	100	6.9	150	10.3	1170	2510	5540	8710	16,000	20,300	1170	2510	5540	8710	16,000	24,000
			200	13.8	1850	3370	7630	12,000	21,300	25,700	1850	3370	7630	12,000	21,300	34,100
			300	20.7	2700	4910	11,200	19,400	30,000	31,700	2700	4910	11,200	19,400	30,100	53,200
			500	34.5	4400	8090	18,300	31,800	39,000	39,200	4400	8090	18,300	31,800	66,500	83,900
			750	51.8	6600	12,000	27,200	39,000	39,200	45,900	6600	12,000	27,200	47,300	95,300	
			1000	69.0	8700	16,000	36,100	40,000	40,500	47,000	8700	16,000	36,100	59,700		
			1250	86.2	11,000	19,000	39,000	40,500	41,000		11,000	19,000	45,000	72,000		
			1500	103	13,000	22,000	43,000	44,000			13,000	22,000	54,000	86,000		
	1750	121	15,000	25,000	45,000	47,000			15,000	25,000	63,000	95,000				
	2000	138	17,000	28,000	46,000				17,000	28,000	71,000					
	125	8.6	150	10.3	1250	2340	5340	9130	15,700	20,800	1250	2340	5340	9470	15,700	20,800
			200	13.8	1830	3320	7550	13,160	22,500	28,600	1830	3320	7550	13,400	28,100	32,800
			300	20.7	2700	4910	11,200	19,800	32,700	38,000	2700	4910	11,200	20,100	36,300	52,600
			500	34.5	4400	8090	18,300	32,500	43,800	51,700	4400	8090	18,300	32,900	70,800	
			750	51.8	6600	12,000	27,200	48,300	49,900	71,400	6600	12,000	27,200	48,900		
			1000	69.0	8700	16,000	36,100	50,000	52,900	72,000	8700	16,000	36,100	64,800		
			1250	86.2	11,000	19,000	45,000	53,000	58,000		11,000	19,000	45,000	80,000		
			1500	103	13,000	22,000	51,000	56,000			13,000	22,000	54,000	96,000		
	1750	121	15,000	25,000	52,000	60,000			15,000	25,000	63,000	112,000				
	2000	138	17,000	28,000	53,000				17,000	28,000	71,000					
	150	10.3	200	13.8	1760	3200	7290	12,500	21,400	30,600	1760	3200	7290	12,900	21,400	33,600
			300	20.7	2700	4910	11,200	17,200	34,700	46,000	2700	4910	11,200	17,200	40,100	55,900
			500	34.5	4400	8090	18,300	32,500	48,900	59,700	4400	8090	18,300	32,900	70,300	
			750	51.8	6600	12,000	27,200	48,300	59,000	72,000	6600	12,000	27,200	48,900		
1000			69.0	8700	16,000	36,100	64,100	81,100	85,000	8700	16,000	36,100	64,800			
1250			86.2	11,000	19,000	45,000	68,000	90,000		11,000	19,000	45,000	80,000			
1500			103	13,000	22,000	54,000	72,000			13,000	22,000	54,000	96,000			
1750			121	15,000	25,000	63,000	77,000			15,000	25,000	63,000	112,000			
2000	138	17,000	28,000	71,000				17,000	28,000	71,000						

Outlet Pressure Range	Outlet Pressure Setting		Inlet Pressure		Mark 627 – 2" Body Size					
	PSIG	BAR			Port Diameter, inches					
					3/32	1/8	3/16	1/4	3/8	1/2
5 to 20 psig <sup>2</sup> (0.34 to 1.4 BAR)	5 <sup>3</sup>	0.34	10	0.69	170	330	710	1080	1700	2400
			15	1.0	240	390	890	1250	1900	2700
			20	1.4	290	500	1160	1900	2650	3900
			30	2.1	380	670	1560	2800	3680	6500
			60	4.1	640	1170	2600	4750	7250	17,800
			75	5.2	770	1410	3150	5700	8060	22,400
	10	0.69	15	1.03	210	375	880	1220	1860	2670
			20	1.4	280	490	1150	1880	2610	3830
			30	2.1	380	670	1560	2760	3640	6460
			60	4.1	640	1170	2600	4750	7250	17,800
			75	5.2	770	1410	3150	5700	8060	22,400
			100	6.9	990	1790	4070	7310	16,200	28,700
			150	10.3	1420	2580	5850	10,500	23,300	25,900 <sup>5</sup>
			200	13.8	1850	3370	7630	13,700	22,700 <sup>5</sup>	24,000 <sup>5</sup>
			300	20.7	2700	4910	11,200	10,300 <sup>5</sup>	12,800 <sup>5</sup>	
			500	34.5	4400	8090	18,300	21,000 <sup>5</sup>		
			750	51.7	6600	12,000	27,200			
			1000	69.0	8700	16,000				
	1250	86.2	11,000							
	1500	103	13,000							
	1750	121	15,000							
	2000	138	17,000							
	20	1.4	30	2.1	350	620	1450	2350	4300	6110
			50	3.4	550	1000	2280	4040	7100	12,800
60			4.1	640	1170	2640	4750	8400	15,700	
100			6.9	990	1800	4070	7310	16,200	28,700	
150			10.3	1420	2580	5850	10,500	23,300	29,000 <sup>5</sup>	
200			13.8	1850	3370	7630	13,700	24,000 <sup>5</sup>	33,000 <sup>5</sup>	
300			20.7	2700	4910	11,200	20,100	19,600 <sup>5</sup>		
500			34.5	4400	8090	18,300	32,900			
750			51.7	6600	12,000	27,200				
1000			69.0	8700	16,000					
1250			86.2	11,000						
1500			103	13,000						
1750	121	15,000								
2000	138	17,000								

- Capacity is based on 20 percent droop unless otherwise noted below.
- For pressure setting under 10 PSIG (0.69 BAR) limit the input pressure to 100 PSIG (6.9 BAR) to obtain the setpoint.
- For 5 PSIG (0.34 BAR) pressure set point, the droop is 2 PSIG (0.14 BAR)
- For 10 PSIG (0.69 BAR) pressure set point, the droop is 3 PSIG (0.21 BAR)
- Capacities are based on 25 percent boost if setting is less than 12 PSIG (0.8 BAR), 3 PSIG (0.2 BAR) boost if setting is from 12 to 60 PSIG (0.2 to 4 BAR), and 5 percent boost if setting is greater than 60 PSIG (4 BAR).

MARK 627 HIGH PRESSURE REGULATORS

MARK 627 FLOW CAPACITIES OF NATURAL GAS (0.6 S.G.) IN SCFH<sup>1</sup>

Outlet Pressure Range	Outlet Pressure Setting		Inlet Pressure		627 – 2" Body Size					
					Port Diameter, inches					
	PSIG	BAR	PSIG	BAR	3/32	1/8	3/16	1/4	3/8	1/2
15 to 40 PSIG (1.0 to 2.8 BAR)	40	2.8	60	4.1	610	1090	2530	4370	8680	13,300
			75	5.2	760	1370	3080	5540	11,900	19,300
			100	6.9	990	1800	4070	7310	16,200	25,400
			150	10.3	1420	2580	5850	10,500	23,300	41,300
			200	13.8	1850	3370	7630	13,700	30,400	53,900
			300	20.7	2700	4910	11,200	20,100	44,600	46,000 <sup>5</sup>
			500	34.5	4400	8090	18,300	32,900	22,000 <sup>5</sup>	
			750	51.7	6600	12,000	27,200	28,000 <sup>5</sup>		
			1000	69.0	8700	16,000	36,100			
			1250	86.2	11,000	19,000				
			1500	103	13,000	22,000				
			1750		15,000					
2000		17,000								
35 to 80 PSIG (2.4 to 5.5 BAR)	60	4.1	75	5.2	700	1260	2760	4900	9000	12,300
			100	6.9	970	1740	4010	7000	15,000	20,400
			150	10.3	1420	2580	5850	10,500	23,300	35,200
			200	13.8	1850	3370	7630	13,700	30,400	53,900
			300	20.7	2700	4910	11,200	20,100	44,600	79,000 <sup>5</sup>
			500	34.5	4400	8090	18,300	32,900	73,000 <sup>5</sup>	38,800 <sup>5</sup>
			750	51.8	6600	12,000	27,200	48,900 <sup>5</sup>	53,000 <sup>5</sup>	32,000
			1000	69.0	8700	16,000	36,100	43,000 <sup>5</sup>	52,000	
			1250	86.2	11,000	19,000	45,000	70,000 <sup>5</sup>		
			1500	103	13,000	22,000	54,000 <sup>5</sup>	43,000		
	1750	121	15,000	25,000	26,000					
	2000	138	17,000	28,000						
	80	5.5	100	5.2	900	1630	3750	6400	12,000	20,400
			150	10.3	1410	2580	5850	10,500	23,300	41,300
			200	13.8	1850	3370	7630	13,700	30,400	53,900
			300	20.7	2700	4910	11,200	20,100	44,600	79,000 <sup>5</sup>
			500	34.5	4400	8090	18,300	32,900	73,000 <sup>5</sup>	48,000 <sup>5</sup>
			750	51.8	6600	12,000	27,200	48,900	87,000 <sup>5</sup>	44,000
			1000	69.0	8700	16,000	36,100	65,000 <sup>5</sup>	63,000	
			1250	86.2	11,000	19,000	45,000	63,000 <sup>5</sup>		
1500			103	13,000	22,000	54,000	86,000			
1750			121	15,000	25,000	63,000				
2000	138	17,000	28,000							
70 to 150 PSIG (4.8 to 10.3 BAR)	100	6.9	150	10.3	1170	2510	5540	8600	16,000	22,000
			200	13.8	1850	3370	7630	13,700	22,000	33,000
			300	20.7	2700	4910	11,200	20,100	35,000	65,300
			500	34.5	4400	8090	18,300	32,900	73,000	129,000
			750	51.8	6600	12,000	27,200	48,900	108,000	54,000 <sup>5</sup>
			1000	69.0	8700	16,000	36,100	64,800	82,000 <sup>5</sup>	
			1250	86.2	11,000	19,000	45,000	80,000	110,000 <sup>5</sup>	
			1500	103	13,000	22,000	54,000	96,000		
			1750	121	15,000	25,000	63,000	112,000		
			2000	138	17,000	28,000	71,000			
	125	8.6	150	10.3	1250	2340	5340	8600	16,000	24,000
			200	13.8	1830	3320	7550	13,000	24,000	36,000
			300	20.7	2700	4910	11,200	20,100	39,000	65,300
			500	34.5	4400	8090	18,300	32,900	73,000	129,000
			750	51.8	6600	12,000	27,200	48,900	108,000	59,000 <sup>5</sup>
			1000	69.0	8700	16,000	36,100	64,800	58,000 <sup>5</sup>	
			1250	86.2	11,000	19,000	45,000	80,000	75,000 <sup>5</sup>	
			1500	103	13,000	22,000	54,000	96,000		
			1750	121	15,000	25,000	63,000	112,000		
			2000	138	17,000	28,000	71,000			
150	10.3	200	13.8	1760	3200	7290	13,000	24,000	38,000	
		300	20.7	2700	4910	11,200	20,100	44,600	64,200	
		500	34.5	4400	8090	18,300	32,900	73,000	129,000	
		750	51.8	6600	12,000	27,200	48,900	108,000	62,000 <sup>5</sup>	
		1000	69.0	8700	16,000	36,100	64,800	144,000		
		1250	86.2	11,000	19,000	45,000	80,000	81,000 <sup>5</sup>		
		1500	103	13,000	22,000	54,000	96,000			
		1750	121	15,000	25,000	63,000	112,000			
2000	138	17,000	28,000	71,000						

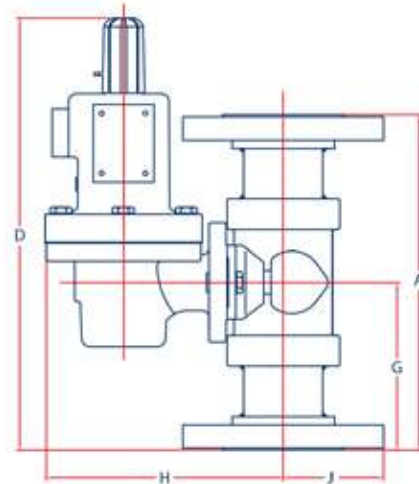
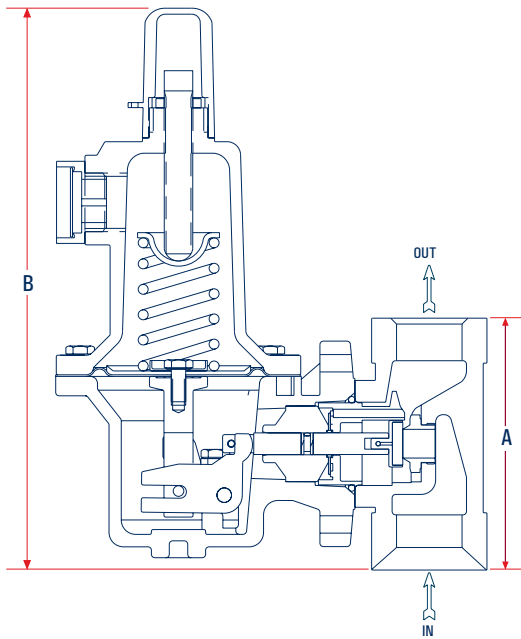
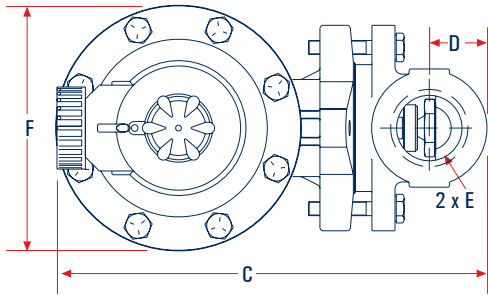
1. Capacity is based on 20 percent droop unless otherwise noted below.

5. Capacities are based on 25 percent boost if setting is less than 12 PSIG (0.8 BAR), 3 PSIG (0.2 BAR) boost if setting is from 12 to 60 PSIG (0.2 to 4 BAR), and 5 percent boost if setting is greater than 60 PSIG (4 BAR).

# MARK 627 HIGH PRESSURE REGULATORS

## DIMENSIONAL DATA

Aluminum/Cast Ductile iron Units



## MARK 627 DIMENSIONS

Flange Units

Type	Body Size	A			D			G			H	J			
		150 RF	300 RF	600 RF	150 RF	300 RF	600 RF	150 RF	300 RF	600 RF	Steel	150 RF	300 RF	600 RF	
Mark 627 Flanged Units	1"	mm	184	197	210	286	292	298	91.9	98.6	105	172	53.8	62.0	62.0
		in.	7.25	7.75	8.25	11.24	11.5	11.75	3.62	3.88	4.12	6.75	2.12	2.44	2.44
	2"	mm	254	267	286	321	327	337	127	133	143	181	82.5	82.5	
		in.	10	10.5	11.25	12.63	12.88	13.25	5	5.25	5.62	7.12	3	3.25	3.25

## OVERPRESSURE PROTECTION

As is true with many regulators, the Mark 627 has an outlet pressure rating that is lower than the inlet pressure rating. Overpressure protection is needed to avoid overpressure if the actual inlet pressure can exceed the outlet pressure rating.

## CAPACITY DATA

Natural gas regulating capacities for selected inlet pressures and outlet pressure settings are shown in Table 2. Flows are in scfh (60°F and 14.7 psig) of 0.6 specific gravity, natural gas at 60°F. To determine the equivalent capacities for other gases, multiply the table capacity by the following factors: for air use 0.775, for nitrogen use 0.789, for propane use 0.628, or for butane use 0.548. For gases of other specific gravities, multiply the given capacity by 0.775, and divide by the square root of the particular specific gravity.

Type	Body Size		A	B	C	D	E	F*
Mark 627	3/4"	mm	104	243	190	26	3/4"	108
		inches	4.08	9.54	7.46	1.0		4.25
	1"	mm	104	243	190	26	1"	108
		inches	4.08	9.54	7.46	1.0		4.25
	2"	mm	127	256	218	43	2"	108
		inches	5.0	10.06	8.56	1.69		4.25

\*F Dimensions for steel 627 - 120 mm/4.7 inches

## MAXIMUM SPRING AND DIAPHRAGM HOUSING PRESSURE

Maximum pressure to avoid leakage to atmosphere or possible damage to internal parts.	250 psi
Maximum pressure to prevent burst of housing or possible damage to internal parts.	375 psi
Maximum diaphragm housing overpressure (above set-point) to avoid damage to internal parts.	60 psi

**ORDERING SCHEMATIC**

To specify a MK627 High Pressure Regulator, build a model number by making a selection from each category in the Product Designator Coding System below.

Model #	Size	/	1	2	3	4	5	6	7	8

Model	
627	Mark 627 Series

Size	
06	3/4"
08	1"
16	2"

1 & 2	Spring Range	
	PSIG	BAR
020	5 - 20	0.34 - 1.4
040	15 - 40	1 - 2.8
080	35 - 80	2.4 - 5.5
095	10 - 95	0.7 - 6.6
150	70 - 150	4.8 - 10.3
250	140 - 250	9.7 - 17.2
500	240 - 500	16.5 - 34.5

**NOTE:** Nitrile or FKM is recommended for 5-20, 15-40 and 10-95 PSIG. Nylon is recommended for pressures above 150 PSIG or low pressure 3/32" & 1/8" orifice.

3	Special Adders	
0	None	
2	Monitor	
A	150 #RF*	
B	300 #RF*	
C	600# RF*	
D	Socket Weld*	
E	900# RTJ*	
W	150# RF & Monitor*	
X	300# RF & Monitor*	
Y	600# RF & Monitor*	
Z	Socket Weld & Monitor*	

\* WCB, LCC Steel or Stainless Steel Bodies Only

4	Versions	
0	Standard	
N	NACE	
F	NACE & Fluorocarbon Elastomers	
T	Stainless Trim	

5 & 6	Orifice	
0	3/32"	
2	1/8"	
3	3/16"	
4	1/4"	
6	3/8"	
8	1/2"	

7	Seat Material	
0	Nitrile	
1	Nylon	
2	Fluorocarbon	

**NOTE:** Nitrile or FKM is recommended for 5-20, 15-40 and 10-95 PSIG. Nylon is recommended for pressures above 150 PSIG or low pressure 3/32" & 1/8" orifice.

8	Case / Body	
0	Aluminum / Iron	
1	WCB / WCB	
2	Aluminum / WCB	
6	Aluminum / LCC Steel	
7	WCB / LCC Steel	
8	WCB / Iron	
9	Stainless / Stainless	

