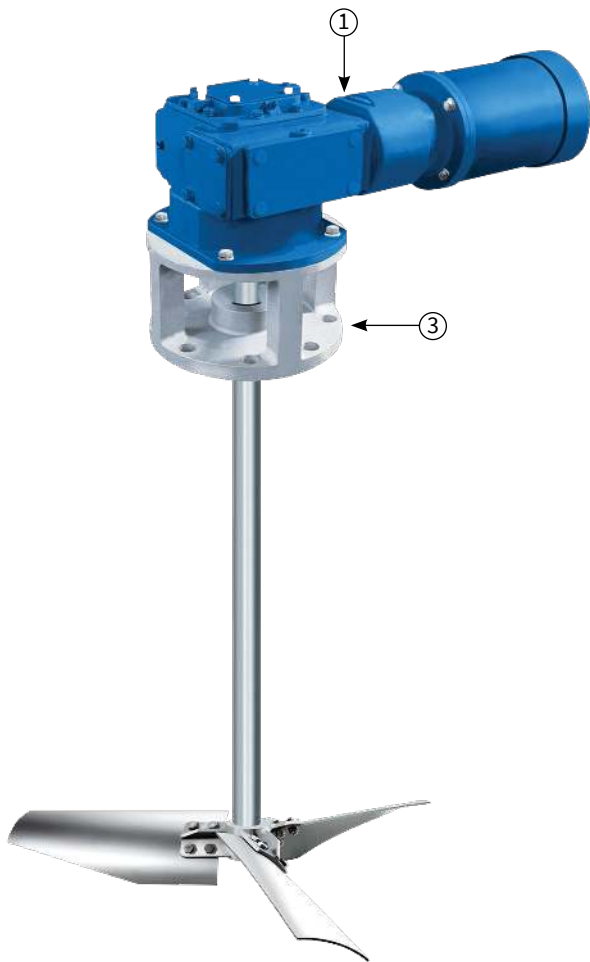
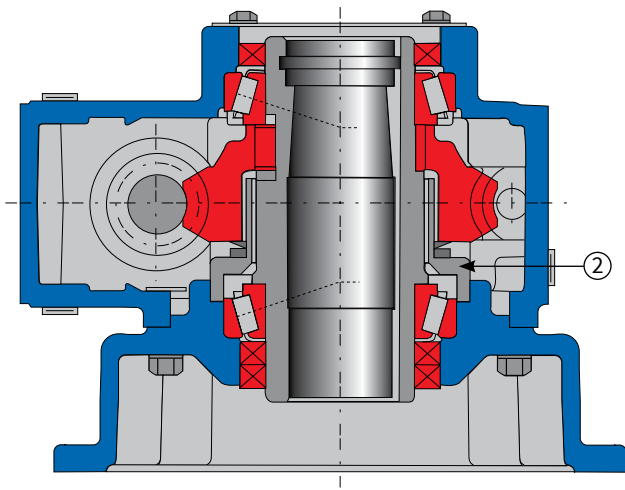


## Chemineer™ QED<sup>Plus</sup> Top Entry Mixer



The proof is in  
the performance.



The QED<sup>Plus</sup> top entry mixer line is the optimum performer for mid-range fluid mixing applications. This robust design can handle blending, solids suspension and high viscosity applications. The QED<sup>Plus</sup> is well suited for processes demanding performance and value.

The QED<sup>Plus</sup> is ideal for your mixing requirements where:

- Applications require higher mid-range torque than the traditional small mixer can provide
- The Model 20 is larger than your application requires
- Overhead limitations or withdrawal heights are a concern

To ensure rapid response to your requests, we utilize our industry leading, process and mechanical design software to quickly generate solutions, complete with quotations, custom assembly/dimension drawings and design loads in either paper or electronic formats.

Exceptional engineering resources, including Computational Fluid Dynamics and Laser Doppler Anemometry, are applied to provide superior custom designs that address your process challenges.

The QED<sup>Plus</sup> provides these high performance features:

- Selections through 5 HP
- Flexible selection of output speeds: 17 to 175 rpm
- Shaft diameters through 2.5 inches
- NEMA or IEC frame motors
- Multiple sizes for continuous or batch mixing
- Full selection of impellers for blending, solids suspension, viscous and gas dispersion applications.
- Right angle, heavy duty worm gear drive for low head room installations (see ① at left)
- Gear drive dry well seal that prevents output shaft leakage (see ② at left)
- Rugged cast iron drive housing for long service life
- 316L stainless pedestal for maximum corrosion resistance (see ③ at left)
- Open tank (beam mount), stuffing box and lip seal options
- Steady bearing designs available for deep tanks
- Optional in-tank shaft coupling for ease of installation/ maintenance
- Carbon steel or 316 stainless steel wetted parts as standard; high alloys, polish and coatings provided upon request
- ANSI or DIN flanges
- Controls and monitoring devices available
- Engineered solutions upon request



# Dimensions

## Dimensions Chart

Case Size	B			C	D	E	F	G	H	J	K	L	R	T	U
	140TC	180TC	210TC												
1	9.75"	—	—	4.625"	8.9375"	5"	1"	1.5"	4.375"	6.5"	1.75"	3.75"	3"	5.5"	3.5"
2	10"	11.125"	—	5.0625"	8.6875"	5"	1"	2"	5.375"	6.5"	1.75"	3.75"	3.5"	6.125"	4"
3	10.8125"	11.9375"	13.0625"	5.875"	10.3125"	5.75"	1.125"	2.5"	5.75"	6.625"	1.75"	4.25"	4.25"	7.125"	4.375"

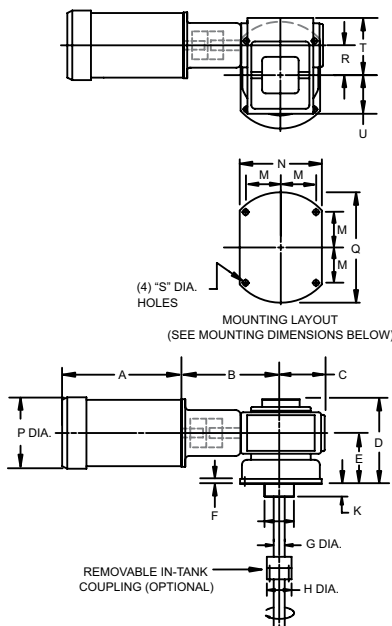
## Motor Dimensions

(for totally enclosed and explosion proof, 1750 rpm motors)

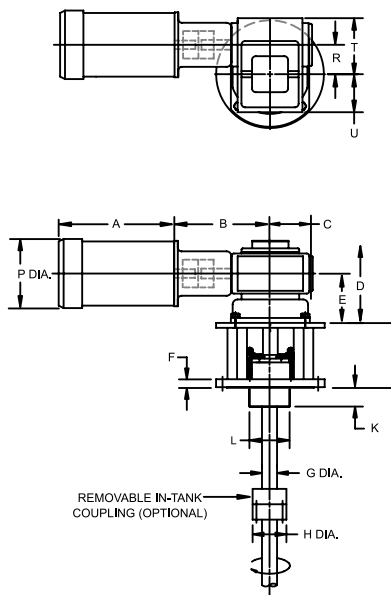
HP	Frame	A	P
1, 1.5, 2	140TC	12"	8"
3 & 5	180TC	14"	10"
7.5	210TC	18"	12"

## Mounting Dimensions

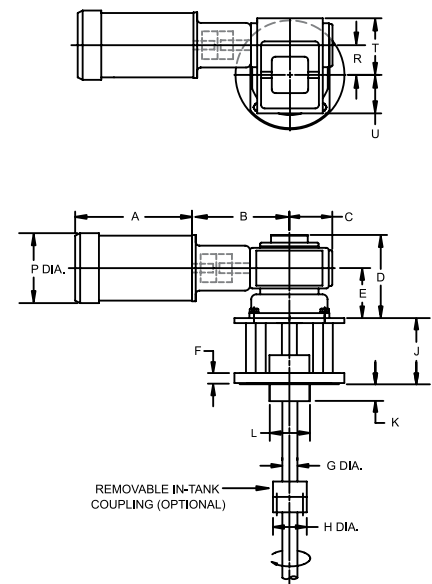
Case Size	M	N	Q	S
1	3.25"	8"	10.75"	.5625"
2	3.53125"	9"	11"	.5625"
3	4.0625"	10.5"	13"	.5625"



QED-D  
Open Tank



QED-A  
Flange Mount with Stuffing Box



QED-L  
Flange Mount with Lip Seal

# Impeller Technology

Chemineer impeller technology is effectively applied across your spectrum of applications ensuring successful, repeatable results from lab scale to full scale operations.

Our mixing expertise includes high flow, low shear liquid-liquid solids blending, gas dispersion, high shear blending and viscous mixing. Whether it is R&D or production phase, we have the expertise to solve your mixing challenges.

An impeller bulletin is available with additional information.

