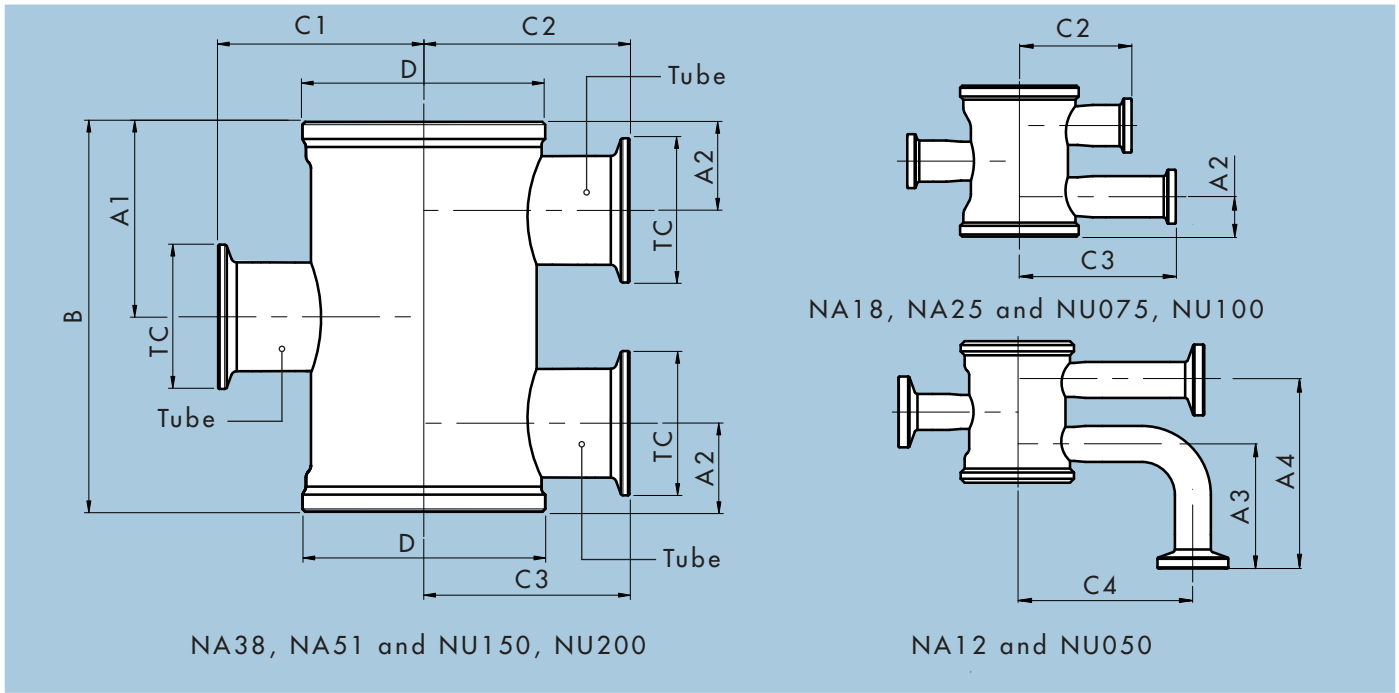


# NovAseptic® Valve Valve Body, Divert Valve TC

Catalogue Number NA##/39-212 and NU###/39-212

## Valve Body, Divert Valve TC Configuration



Nominal Dimensions in mm (in.)

| A1              | A2              | A3              | A4              | B                | C1              | C2              | C3               | C4              | SMS Tube 3008 |                 | US Tube ASTM® A269/270 |          |       |      |                           |
|-----------------|-----------------|-----------------|-----------------|------------------|-----------------|-----------------|------------------|-----------------|---------------|-----------------|------------------------|----------|-------|------|---------------------------|
|                 |                 |                 |                 |                  |                 |                 |                  |                 | D*            | TC              | NA##                   | Tube     | NU### | Size | Tube                      |
| 25.0<br>(0.984) | 13.7<br>(0.539) | 44.0<br>(1.732) | 66.6<br>(2.622) | 50.0<br>(1.969)  | 42.0<br>(1.653) | 66.0<br>(2.598) | -                | 62.0<br>(2.441) | TR40x2        | 25.0<br>(0.984) | NA12                   | 12.0x1.0 | NU050 | ½"   | 12.7x1.65<br>(0.50x0.065) |
| 35.0<br>(1.378) | 18.5<br>(0.728) | -               | -               | 70.0<br>(2.756)  | 52.0<br>(2.047) | 52.0<br>(2.047) | 72.5<br>(2.854)  | -               | TR55x2        | 25.0<br>(0.984) | NA18                   | 18.0x1.5 | NU075 | ¾"   | 19.1x1.65<br>(0.75x0.065) |
| 48.5<br>(1.909) | 24.5<br>(0.965) | -               | -               | 97.0<br>(3.819)  | 62.0<br>(2.441) | 62.0<br>(2.441) | 102.0<br>(4.016) | -               | TR75x2        | 50.5<br>(1.988) | NA25                   | 25.0x1.2 | NU100 | 1"   | 25.4x1.65<br>(1.0x0.065)  |
| 68.3<br>(2.689) | 31.2<br>(1.228) | -               | -               | 136.5<br>(5.374) | 72.0<br>(2.835) | 72.0<br>(2.835) | 72.0<br>(2.835)  | -               | TR85x2        | 50.5<br>(1.988) | NA38                   | 38.0x1.2 | NU150 | 1½"  | 38.1x1.65<br>(1.5x0.065)  |
| 87.8<br>(3.457) | 37.7<br>(1.484) | -               | -               | 175.5<br>(6.909) | 95.0<br>(3.740) | 95.0<br>(3.740) | 95.0<br>(3.740)  | -               | TR109x2       | 64.0<br>(2.520) | NA51                   | 51.0x1.2 | NU200 | 2"   | 50.8x1.65<br>(2.0x0.065)  |

\* Note: Non-standard thread, special thread to fit NovAseptic Actuators.

**Specifications**

**Net Volume (valve cavity, diaphragm applied)**

| Valve Body | NA12/ NU050 | NA18/ NU075 | NA25/ NU100 | NA38/ NU150 | NA51/ NU200 |
|------------|-------------|-------------|-------------|-------------|-------------|
| Volume ml  | 7           | 20          | 60          | 160         | 480         |

**Net Weight (approximate)**

| Valve Body     | NA12/ NU050 | NA18/ NU075 | NA25/ NU100 | NA38/ NU150 | NA51/ NU200 |
|----------------|-------------|-------------|-------------|-------------|-------------|
| Weight kg (lb) | 0.2 (0.44)  | 0.5 (1.1)   | 1.3 (2.87)  | 2.4 (5.29)  | 4.8 (10.6)  |

**Material**

|                        | Bar<br>Stainless Steel in Compliance with |           | Tubing<br>Stainless Steel in Compliance with |                        |
|------------------------|---|-----------|--|------------------------|
| Material Code          | 316L                                      | EN 1.4404 | TP316L                                       | EN 1.4404              |
| Technical Requirements | ASME® SA-479                              | EN 10272  | ASTM® A269/270                               | EN 10217-7/ EN 10216-5 |

**Specifications**

|                                 |   |
|---------------------------------|---|
| Surface Roughness:              | Internal surface (manually polished) $Ra \leq 0.5\mu\text{m}$ (20 $\mu\text{in}$ )<br>External surface $Ra \leq 1.6\mu\text{m}$ (63 $\mu\text{in}$ )  |
| Design Temperature, Valve Body: | -80 to 200 °C (-112 to 392 °F)  |
| Design Pressure, Valve Body:    | -1 to 10 bar(g) (-14.5 to 145 psi(g))   |
| Note!                           | The applied diaphragm and actuator may have different design temperature and/or pressure limits. The weakest component in the assembled product determines the maximum design temperature and pressure limits.  |
| Labeling:                       | Each Valve Body is individually marked for full traceability and heat No. according to Millipore QA routines.   |
| Packaging:                      | All open ends on the Valve Body are protected with plastic covers on delivery and packaged in a closed box.   |
| Quality Control:                | Millipore Quality Assurance System guarantees the control and traceability at all stages of the manufacturing.  |
| In Compliance With:             | The NovAseptic Valve is classified in Europe, under SEP (Sound Engineering Practice) for PED Directive 97/23/EC. NovAseptic Valve is in compliance with ASME® BPE standard. The NovAseptic Valve meets the requirements of the 3-A Sanitary Standards, marked on request. |
| Options:                        | For non-standard NovAseptic Valve Body Options, please contact Millipore for further information.   |

**To Place an Order or Receive Technical Assistance**

For additional information call your nearest Millipore office or visit us at [www.millipore.com](http://www.millipore.com).  
In the U.S. and Canada, call toll-free 1-800-MILLIPORE (1-800-645-5476). In the U.S., Canada and Puerto Rico, fax orders to 1-800-MILLIFX (1-800-645-5439).

# MILLIPORE

Millipore and NovAseptic are registered trademarks of Millipore Corporation.  
ASME is a registered trademark of the American Society of Mechanical Engineers.  
ASTM is a registered trademark of the American Society for Testing and Materials.  
Specifications subject to change without notice.  
Lit. No. SP1010EN00 Rev. -, 04/2007. Replaces DS-052  
© 2007 Millipore Corporation. All rights reserved.