



STERIFLOW
a division of Jordan Valve

3170 Wasson Road • Cincinnati, OH 45209 USA
Phone 513-533-5600 • Fax 513-871-0105
steriflow@richardsind.com • www.steriflowvalve.com

I & M J-Pure Series

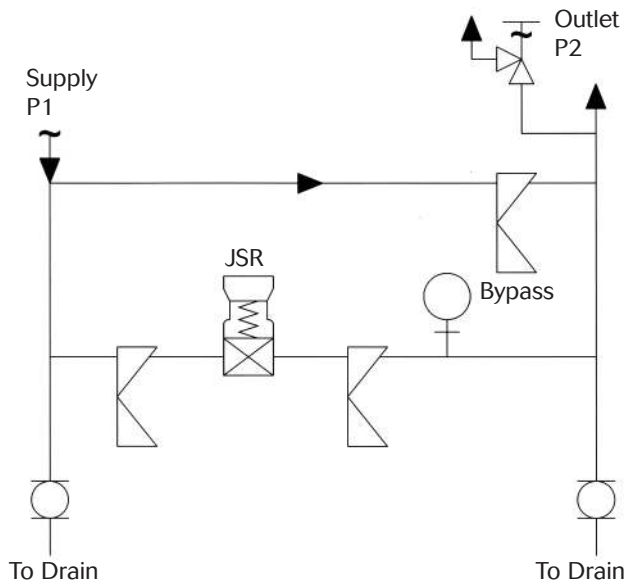
Installation & Maintenance Instructions for J-Pure Series Sanitary Valves

Warning: Steriflow Sanitary Regulators must only be used, installed and repaired in accordance with these Installation & Maintenance Instructions. Observe all applicable public and company codes and regulations. In the event of leakage or other malfunction, call a qualified service person; continued operation may cause system failure or a general hazard. Before servicing any valve, disconnect, shut off, or bypass all pressurized fluid. Before disassembling a valve, be sure to release all spring tension.

Please read these instructions carefully!

Your Steriflow/Jordan product will provide you with long, trouble-free service if it is correctly installed and maintained. Spending a few minutes now reading these instructions can save hours of trouble and downtime later. When making repairs, use only genuine Steriflow Valve parts, available for immediate shipment from the factory.

Ideal Installation



Preferred Installation

Caution! Installation of adequate overpressure protection is recommended to protect the regulator from overpressure and all downstream equipment from damage in the event of regulator failure.

1. An inlet block valve should always be installed.
2. If service application is continuous such that shut-down is not readily accomplished, it is recommended that an inlet block valve, outlet block valve, and a manual bypass valve be installed. Sanitary diaphragm or ball valves are usually recommended.
3. A sanitary outlet pressure gauge should be located

approximately ten pipe diameters downstream, and within sight. If you have ordered your J-Pure with outlet gauge option on the valve outlet, please note that the outlet pressure as registered on the gauge may be slightly higher than a gauge located x diameters downstream, with the difference typically no more than 0.5psig.

4. All installations should include a downstream relief device if the inlet pressure could exceed the pressure rating of any downstream equipment or the maximum outlet pressure rating of the unit.
5. Flow Direction: install so that the flow direction matches the inlet/outlet marking on the main regulator body (7).
6. For best performance, install in well drained horizontal pipe.
7. Basic regulator - (refer to Figure 2): regulator may be rotated around the pipe axis 360°. Recommended position is with knob (13) vertical upwards.
8. Regulators are not to be buried underground.
9. For insulated piping systems, recommendation is to not insulate regulator.

Principles of Operation

1. Movement occurs as pressure variations register on the diaphragm (16). The registering pressure is the outlet, P2, or downstream pressure. The range spring (20) opposes diaphragm (16) movement. As outlet pressure drops, the range spring (15) pushes the diaphragm (16) down, opening the port; as outlet pressure increases, the diaphragm (16) pushes up and the port opening closes.
2. A complete diaphragm (16) failure will cause the regulator to fail open.

Start Up

Caution! Don't not exceed the maximum rated pressure of the regulator if installed for a hydrostatic test. Isolate the unit if the test is above the valve rating. (Valve rating is 150 psi @ 100°F).

1. Start with the block valves closed. A bypass valve may be used to maintain outlet pressure in the

downstream system without changing the following steps.

2. Relax the range spring (20) by turning the adjusting knob (13) counter clockwise (CCW) until there is no noticeable spring tension.
3. If it is a "hot" piping system, and equipped with a bypass valve, slowly open the bypass valve to pre-heat the system piping and to allow slow expansion of the piping. Closely monitor outlet (downstream) pressure via gauge to ensure no over-pressurizing. Note: if no bypass valve is installed, extra caution should be used in starting up a cold system; i.e. do everything slowly.
4. Crack open the outlet (downstream) block valve.
5. Slowly open the inlet (upstream) block valve observing the outlet (downstream) pressure gauge. Determine if the regulator is flowing. If not, slowly rotate the regulator adjusting knob (13) clockwise (CW) until flow begins.
6. Continue to slowly open the inlet (upstream) block valve until fully open.
7. Continue to slowly open the outlet (downstream) block valve, especially when the downstream piping isn't pressurized. If the outlet (downstream) pressure exceeds the desired pressure, close the block valve and go to Step 2, then return to Step 4.
8. When flow is established steady enough that the outlet (downstream) block is fully open, begin to slowly close the bypass valve if installed.
9. Develop system flow to a level near its expected normal rate, and reset the regulator set point by turning the adjusting knob (13) CW to increase outlet pressure, or CCW to reduce outlet pressure.
10. Reduce system flow to a minimum level and observe set point. Outlet pressure will rise from the set point of Step 9.

Shutdown

1. On systems with a bypass valve, and where system pressure is to be maintained as the regulator is shut-down, slowly open the bypass valve while closing the inlet (upstream) block valve. (When on bypass, the system pressure must be constantly observed and manually regulated.) Close the outlet (downstream) block valve. CAUTION! Do not walk away and leave a bypassed regulator unattended.
2. If the regulator and system are to both be shut down, slowly close the inlet (upstream) block valve. Close the outlet (downstream) valve only if regulator removal is required.

Maintenance

Warning! System Under Pressure. Prior to performing any maintenance, isolate the regulator from the system

and relieve all pressure. Failure to do so could result in personal injury.

A. General

1. Maintenance procedures hereinafter are based upon removal of the regulator unit from the pipeline where installed.
2. Owner should refer to owner's procedures for removal, handling, cleaning and disposal of non-reuseable parts, i.e. gaskets, etc.
3. Refer to Figure 2 for basic regulator and Figure 1 for diaphragm subassembly.

B. Trim Replacement

Note: One of the features designed into the J-Pure valves is that a complete trim replacement and wet side cleaning can be done with the valve still installed, without complete disassembly. But please note the caution above. Make sure all upstream and downstream valves are closed and all pressure is relieved prior to beginning work.

1. Remove adjusting screw assembly (13) completely out of the spring housing.
2. If valve is removed from the line, clamp the valve in a vise, upside down, clamping on the spring housing (6) flats.
3. Remove bottom cap (10) by turning CCW.
4. Remove return spring (19) and plug sub-assembly (1,2,3).
5. Remove cap gasket (17) and clean all parts to be reused according to owner's procedures.
6. Inspect all parts for damage and replace if necessary. Note: Use only parts manufactured and supplied by Steriflow Valve for these parts.



Figure 2: Plug Sub-Assembly

7. Place plug assembly into body (7) cavity.
8. Place new cap gasket (17) into bottom of threaded body chamber.
9. Place return spring (19) into body against plug assembly bottom.
10. Center bottom cap (10) onto spring return (19), and push to compress spring as you thread CW into body.
11. Tighten bottom cap (10) to the following torque value: All sizes: 20 ft-lbs (29 Nm).
12. Bench test unit for suitable operation. Note: Regulators are not tight shutoff devices. Even if pressure builds up beyond set up, a regulator may or may not develop bubble tight shutoff.

13. Pressurize with air and spray liquid leak detector around body (7) and spring chamber (6) to test for leakage. Ensure that an outlet pressure is maintained during this leak test of at least mid-range spring level: i.e. 50-125 psig (3,44 - 8,66 barg) range spring, 90 psig (6,2 barg) test pressure minimum.

C. Diaphragm Replacement

Caution! To prevent damage to body, use soft jaws when placing the body in a vise. Position so that vise closes over the flats on lower end of body.

1. Rotate the knob CCW until the knob assembly (13) comes out of the spring housing (6).
2. Clamp the valve upside down in a vise on the flats of the spring housing (6).
3. Remove the bottom cap (10), gasket (17), return spring (19) and plug assembly (1, 2, 3).
4. Place the valve body (7) in a vise clamping on the flats on the bottom of the body.
5. Remove spring housing (6) by grasping the flats with a wrench and turning (CCW). Upon removal, the range spring (2), diaphragm assembly (11, 16, 18), and the spring seat (12) will be visible.
6. Remove the diaphragm assembly, range spring (2), and the spring seat (12).
7. Disassemble the diaphragm subassembly (11, 16, 18).
8. Clean all reusable parts according to owner's procedures.
9. Inspect and replace any necessary parts. NOTE: Use only parts manufactured and supplied by Steriflow Valve for these products.
10. Reassemble diaphragm assembly (11, 16, 18) by placing the diaphragm (16) and upper diaphragm plate (11) over the threads of the lower diaphragm plate (18). Tighten the assembly until the diaphragm just starts to deform using a screwdriver in the slot of the lower diaphragm plate (18) and holding the upper diaphragm plate (11) in a vise.
11. Clamp the spring housing (6) upside down in a vise.
12. Place the spring seat (12) and spring (2) into the spring housing (6) making sure the spring seat (12) is in the proper orientation.
13. Place diaphragm subassembly (11, 16, 18) onto the spring housing (6) making sure to capture the diaphragm inside of the compression lip on the housing.
14. Rotate the body (7) CW by hand onto the spring housing (6) until firmly seated.
15. Place the plug assembly (1, 2, 3), return spring (19), and new gasket (17) into the plug bore of the body (7).
16. Compress the return spring (19) with the bottom cap (10) and tighten securely. Tighten bottom cap (10) to the following torque value: All Sizes: 20 ft-lbs (29Nm).
17. Place the valve assembly into a vise by clamping on

the body flats. Tighten the spring housing (6) to the following torque value: All Sizes: 65-70 ft-lbs (88-95 Nm). Remove from vise.

18. Replace the adjusting screw assembly (13) into the spring housing (6) until range spring tension is felt.
19. Pressurize with air and spray liquid leak detector around body (7) and spring chamber (6) to test for leakage. Ensure that an outlet pressure is maintained during this leak test of at least mid-range spring level: i.e. 50-125 psig (3,44 - 9,6 barg) range spring, 90 psig (6,2 barg) test pressure minimum.

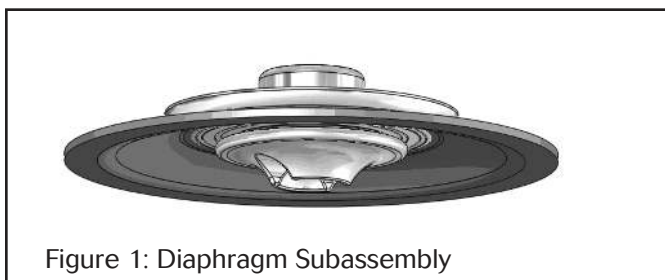


Figure 1: Diaphragm Subassembly

Troubleshooting

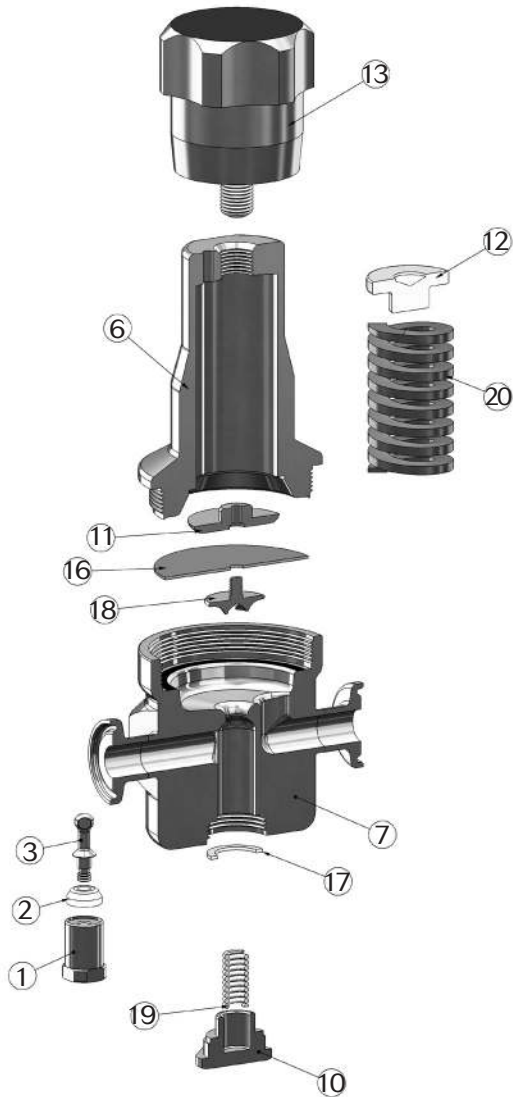
1. Erratic Operation; Chattering

- A. Oversize regulator; inadequate rangeability
 1. Check actuator flow conditions, re-size regulator for minimum and maximum flow.
 2. Increase flow rate.
 3. Decrease regulator pressure drop; decrease inlet pressure by placing a throttling orifice in inlet piping.
 4. Install next step higher range spring. Before replacing regulator, contact factory
- B. Worn poppet; inadequate guiding
 1. Replace trim (possible body replacement)
- C. Weakened/broken return spring.
 1. Determine if corrosion is causing. Replace return spring.

2. Regulator can't pass sufficient flow

- A. Regulator not closing tightly
 1. Inspect the seat of the plug sub-assembly, replace if worn.
- B. Downstream blockage
 1. Check system; isolate (block flow at regulator inlet - not outlet).
 2. Relocate regulator if necessary
- C. No pressure relief protection
 1. Install safety relief valve, or rupture disc.
- D. Restricted diaphragm movement
 1. Ensure no moisture in spring chamber at temperature below free point.

Cross Section View



Item No.	Description	Quantity
1	Seat Holder	1
2	Seat	1
3	Seat Tip	1
6	Spring Housing	1
7	Body	1
10	Bottom Cap	1
11	Upper Diaphragm Plate	1
12	Spring Seat	1
13	Adjusting Knob	1
16	Diaphragm	1
17	Cap Gasket	1
18	Lower Diaphragm Plate	1
19	Return Spring	1
20	Range Spring	1

How to Order a Repair Kit

Model	Size	Material	Kit	1&2	3&4
JSR	50	6L			

Model	
JSR	High Purity Gas Pressure Reducing Valve

Size	
050	1/2"
075	3/4"

Material	
6L	Stainless Steel 316L

Kit	
Kit	Repair Kit

1 & 2	Trim/Seat Material
1P	Cv 0.8/PEEK
1T	Cv 0.8/PTFE
2P	Cv 0.5/PEEK
2T	Cv 0.5/PTFE
ZZ	Non-Standard

3 & 4	Diaphragm Assembly
RJ	Self Relieving/Jorlon
SJ	Standard/Jorlon
ZZ	Non-Standard