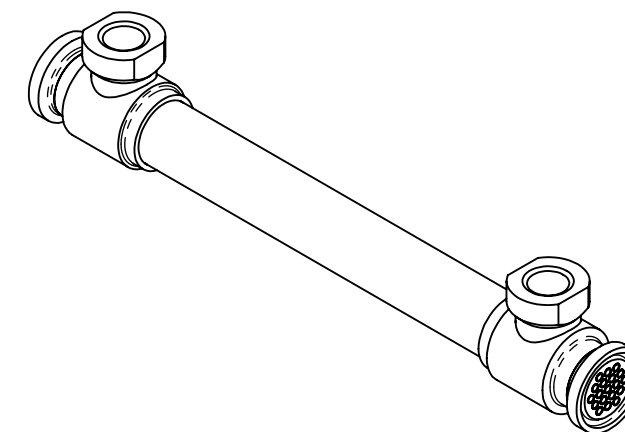
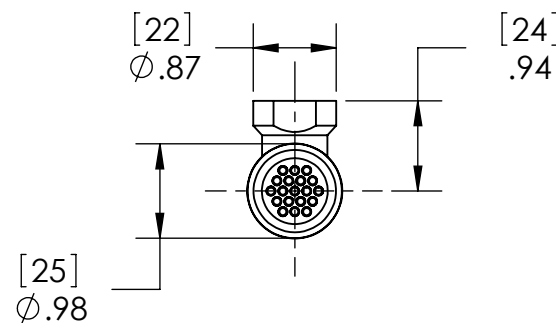
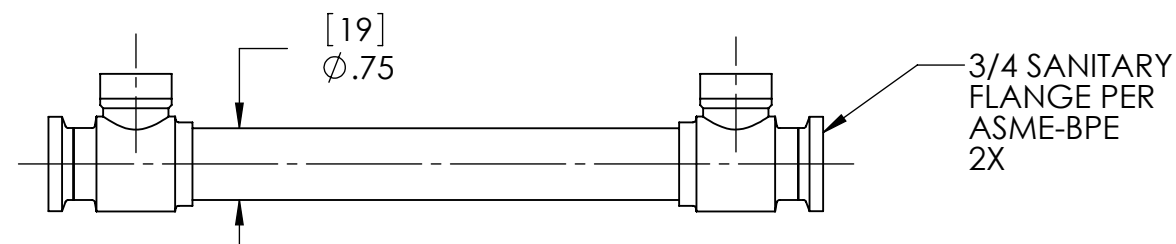
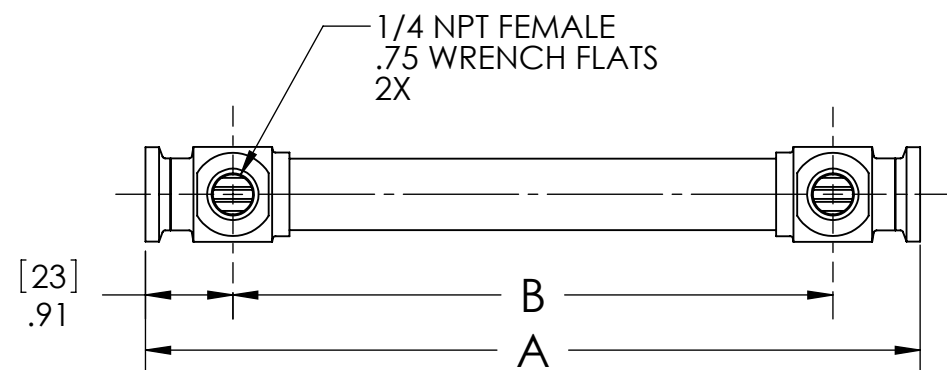


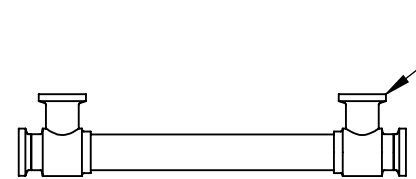
NOTES:

1. MATERIAL: 316L STAINLESS STEEL, NICKEL BRAZED.
2. PRODUCT CONTACT SURFACE FINISH CODE PER ASME-BPE:  
SF1: 20 μin. (.5 μm) Ra MAX  
SF4: 15 μin. (.4 μm) Ra MAX, ELECTROPOLISHED.
3. ALL EXTERNAL SURFACES BUFF POLISH FINISH.
4. MAXIMUM OPERATING CONDITIONS:
  - PRESSURE: TUBESIDE - 1,500 psi (103 bar)  
SHELLSIDE - 1000 psi (69 bar)  
(REFER TO SANITARY CLAMP MANUFACTURER FOR CLAMP PRESSURE RATING)
  - TEMPERATURE: 800°F (425°C)
  - PRESSURE FOR STEAM SERVICE: 125 psi (8.6 bar)
  - FLUID TEMPERATURE DIFFERENCE:  
 $(T_{HOT})_{AVE} - (T_{COLD})_{AVE} < 125^{\circ}F (70^{\circ}C)$
5. FULLY DRAINABLE ON TUBESIDE.
6. MATERIAL AND PROCESS CERTIFICATIONS PROVIDED.

- #	TUBE COUNT	TUBE LENGTH		PRODUCT CONTACT SURFACE FINISH (NOTE 2)	DIM A		DIM B		WEIGHT EMPTY		TRANSFER AREA	
		in	mm		in	mm	in	mm	lb	kg	in <sup>2</sup>	cm <sup>2</sup>
- 01	19	4.00	102	SF4	4.07	103	2.25	57	0.46	0.21	20.9	135
- 02		8.00	203		8.07	205	6.25	159	0.63	0.29	43.4	280
- 03		12.00	305		12.07	307	10.25	260	0.81	0.37	65.8	425
- 04		16.00	406		16.07	408	14.25	362	0.98	0.44	88.3	570
- 05		4.00	102	SF1	4.07	103	2.25	57	0.46	0.21	20.9	135
- 06		8.00	203		8.07	205	6.25	159	0.63	0.29	43.4	280
- 07		12.00	305		12.07	307	10.25	260	0.81	0.37	65.8	425
- 08		16.00	406		16.07	408	14.25	362	0.98	0.44	88.3	570
- 09		20.00	508	SF4	20.07	510	18.25	464	1.19	0.54	110.7	714
- 10		25.00	635		25.07	637	23.25	591	1.42	0.64	138.7	895
- 11		30.00	762		30.07	764	28.25	718	1.64	0.75	166.8	1076
- 12		20.00	508	SF1	20.07	510	18.25	464	1.19	0.54	110.7	714
- 13		25.00	635		25.07	637	23.25	591	1.42	0.64	138.7	895
- 14		30.00	762		30.07	764	28.25	718	1.64	0.75	166.8	1076



ALSO AVAILABLE



3/4 SANITARY FLANGE

DOUBLE TUBESHEET VERSIONS:

- MODEL 01708 - # (1/4 NPT SHELL PORT)
- MODEL 01709 - # (3/4 SANITARY FLANGE SHELL PORT)

MOUNTING KIT:

- MODEL 01021-03

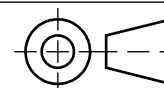
[MODEL NO. 00882 - #]

ALL DIMENSIONS ARE IN INCHES [mm]

**PROPRIETARY AND CONFIDENTIAL**  
THE INFORMATION CONTAINED IN THIS DOCUMENT IS THE SOLE PROPERTY OF EXERGY, LLC. ANY REPRODUCTION, DISCLOSURE, OR USE, IN PART OR AS A WHOLE, WITHOUT THE WRITTEN PERMISSION OF EXERGY, LLC IS PROHIBITED.

PRODUCT SPECIFICATIONS SUBJECT TO CHANGE WITHOUT NOTICE. MANUFACTURER ASSUMES NO LIABILITY FOR MISUSE OR ABUSE OF PRODUCT. SPECIFIC WARRANTY INFORMATION IS AVAILABLE UPON REQUEST.

THIRD ANGLE PROJECTION



**EXERGY**  
HEAT TRANSFER SOLUTIONS  
320 ENDO BLVD.  
GARDEN CITY, NY 11530  
USA (516)832-9300  
www.exergyllc.com

SHELL & TUBE HEAT EXCHANGER  
17 SERIES  
SHELL PORT NPT

MODEL NO. 00402 - #  
DATE 9/19/2014 SCALE 1:2 SHEET 1 OF 1

MODEL NO.

00402 - #