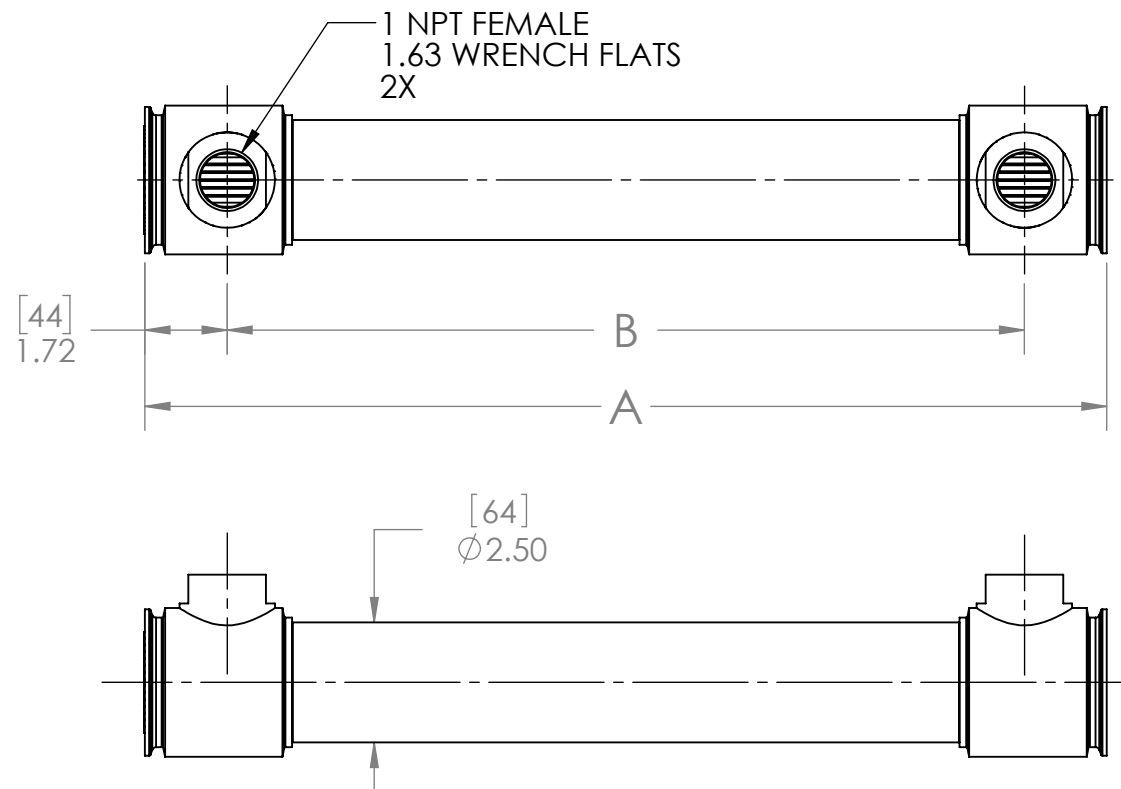
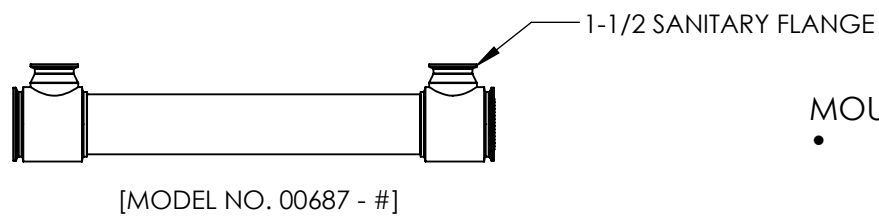


NOTES:

- MATERIAL: 316L STAINLESS STEEL, NICKEL BRAZED.
- PRODUCT CONTACT SURFACE FINISH CODE PER ASME-BPE:  
SF1: 20 µin. (.5 µm) Ra MAX  
SF4: 15 µin. (.4 µm) Ra MAX, ELECTROPOLISHED.
- ALL EXTERNAL SURFACES SATIN FINISH.
- MAXIMUM OPERATING CONDITIONS:
  - PRESSURE: TUBESIDE - 600 psi (41 bar)  
SHELLSIDE - 400 psi (28 bar)  
(REFER TO SANITARY CLAMP MANUFACTURER FOR CLAMP PRESSURE RATING)
  - TEMPERATURE: 800°F (425°C)
  - PRESSURE FOR STEAM SERVICE: 125 psi (8.6 bar)
  - FLUID TEMPERATURE DIFFERENCE:  
 $(T_{HOT})_{AVE} - (T_{COLD})_{AVE} \leq 125^{\circ}F (70^{\circ}C)$
- FULLY DRAINABLE ON TUBESIDE.
- MATERIAL AND PROCESS CERTIFICATIONS PROVIDED.

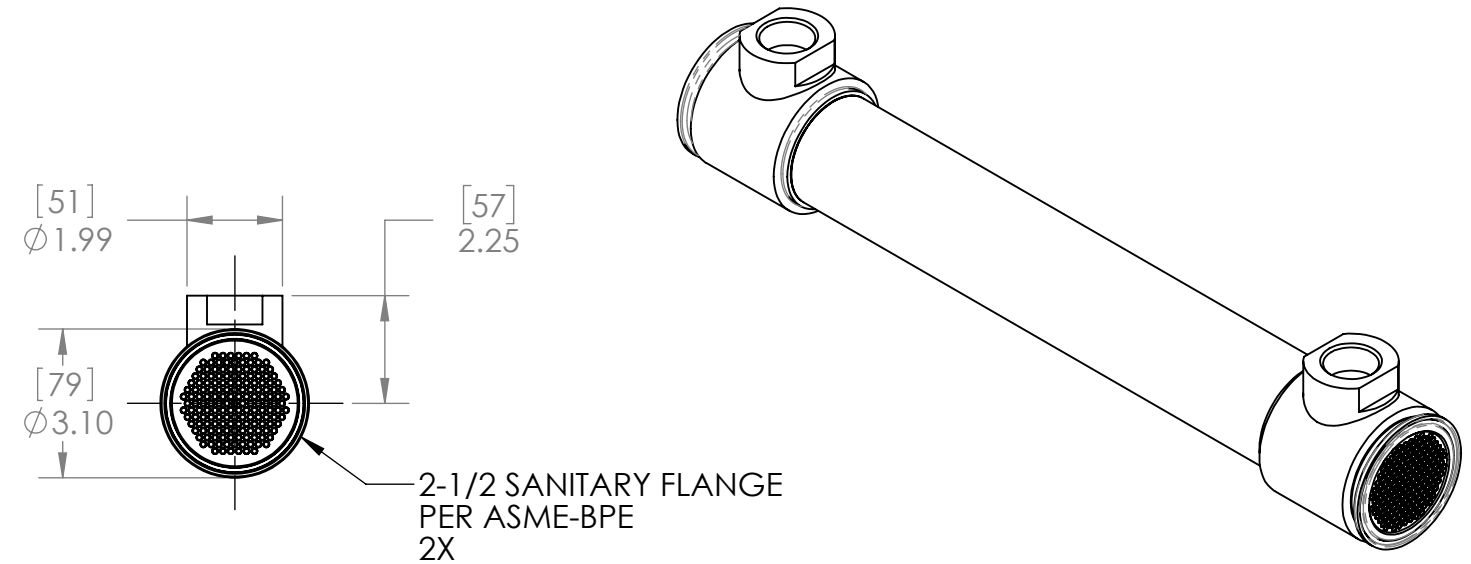


ALSO AVAILABLE



MOUNTING KIT:  
• MODEL 1022-03

- #	TUBE COUNT	TUBE LENGTH		PRODUCT CONTACT SURFACE FINISH (NOTE 2)	DIM A		DIM B		WEIGHT EMPTY		TRANSFER AREA	
		in	mm		in	mm	in	mm	lb	kg	ft <sup>2</sup>	m <sup>2</sup>
- 01	163	10.00	254	SF4	10.04	255	6.61	168	8.4	3.8	4.19	0.39
- 02		15.00	381		15.04	382	11.61	295	10.2	4.6	6.41	0.60
- 03		20.00	508		20.04	509	15.61	396	12	5.4	8.64	0.80
- 04		SF1	10.00	254	10.04	255	6.61	168	8.4	3.8	4.19	0.39
- 05			15.00	381	15.04	382	11.61	295	10.2	4.6	6.41	0.60
- 06			20.00	508	20.04	509	15.61	396	12	5.4	8.64	0.80
-13	37	10.00	254	SF4	10.04	255	6.61	168	8.8	4.0	1.87	0.17
-14		15.00	381		15.04	382	11.61	295	10.8	4.9	2.85	0.26
-15		20.00	508		20.04	509	16.61	422	12.8	5.8	3.83	0.36
-16		SF1	10.00	254	10.04	255	6.61	168	8.8	4.0	1.87	0.17
-17			15.00	381	15.04	382	11.61	295	10.8	4.9	2.85	0.26
-18			20.00	508	20.04	509	16.61	422	12.8	5.8	3.83	0.36
-19	163	25.00	635	SF4	25.04	636	21.61	549	14	6.4	10.86	1.01
-20		30.00	762		30.04	763	26.61	676	15.8	7.2	13.08	1.22
-21		SF1	25.00	635	25.04	636	21.61	549	14	6.4	10.86	1.01
-22			30.00	762	30.04	763	26.61	676	15.8	7.2	13.08	1.22
-23	37	30.00	762	SF4	30.04	763	26.61	676	16.8	7.6	5.80	0.54
-24		SF1	30.04	763	26.61	676	16.8	7.6	5.80	0.54		
-25	163	40.00	1016	SF4	40.04	1017	36.61	930	19	8.6	17.78	1.65
-26		40.00	1016		40.04	1017	36.61	930	19	8.6	17.78	1.65
-27		SF1	6.21	157.73	6.25	159	2.82	72	8.4	3.8	2.60	0.24



ALL DIMENSIONS ARE IN INCHES [mm]

**PROPRIETARY AND CONFIDENTIAL**  
THE INFORMATION CONTAINED IN THIS DOCUMENT IS THE SOLE PROPERTY OF EXERGY, LLC. ANY REPRODUCTION, DISCLOSURE, OR USE, IN PART OR AS A WHOLE, WITHOUT THE WRITTEN PERMISSION OF EXERGY, LLC IS PROHIBITED.

PRODUCT SPECIFICATIONS SUBJECT TO CHANGE WITHOUT NOTICE. MANUFACTURER ASSUMES NO LIABILITY FOR MISUSE OR ABUSE OF PRODUCT. SPECIFIC WARRANTY INFORMATION IS AVAILABLE UPON REQUEST.

THIRD ANGLE  
PROJECTION



**EXERGY**  
HEAT TRANSFER SOLUTIONS

320 ENDO BLVD.  
GARDEN CITY, NY 11530  
USA (516)832-9300  
www.exergyllc.com

SHELL & TUBE HEAT EXCHANGER  
60 SERIES SANITARY  
SINGLE TUBESHEET, 1 NPT

MODEL NO. 00686 - #  
DATE 2/14/2018 SCALE 1:4 SHEET 1 OF 1

MODEL NO.

00686 - #