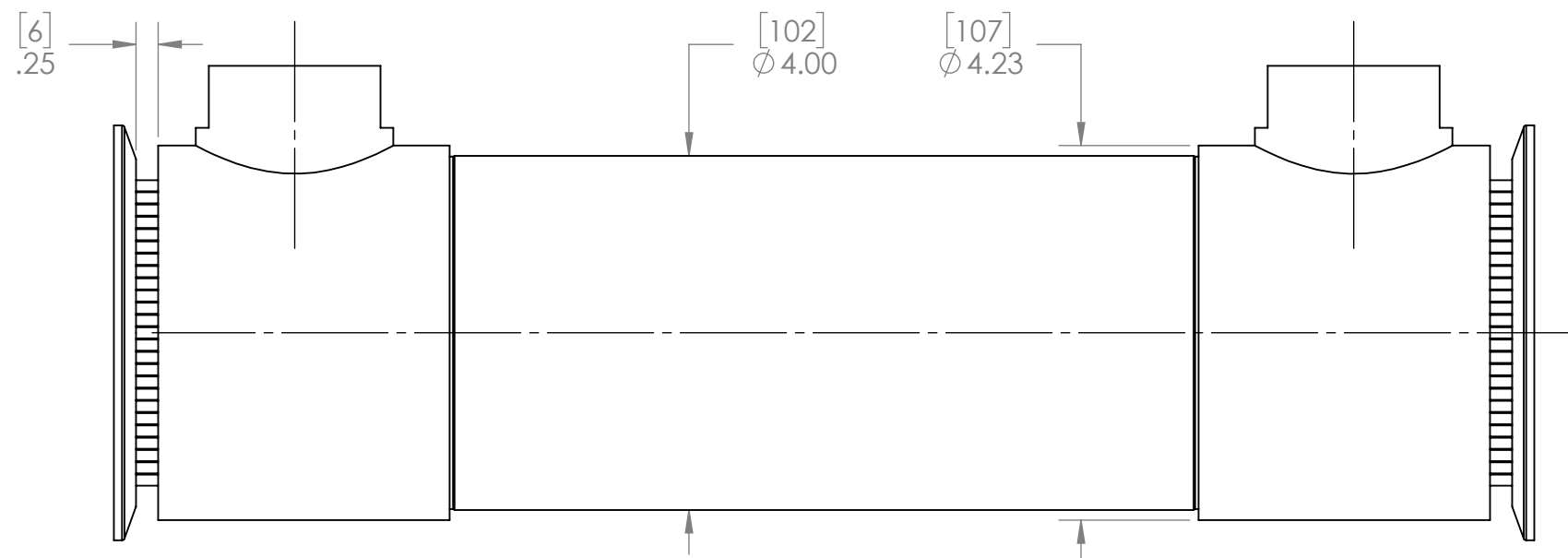
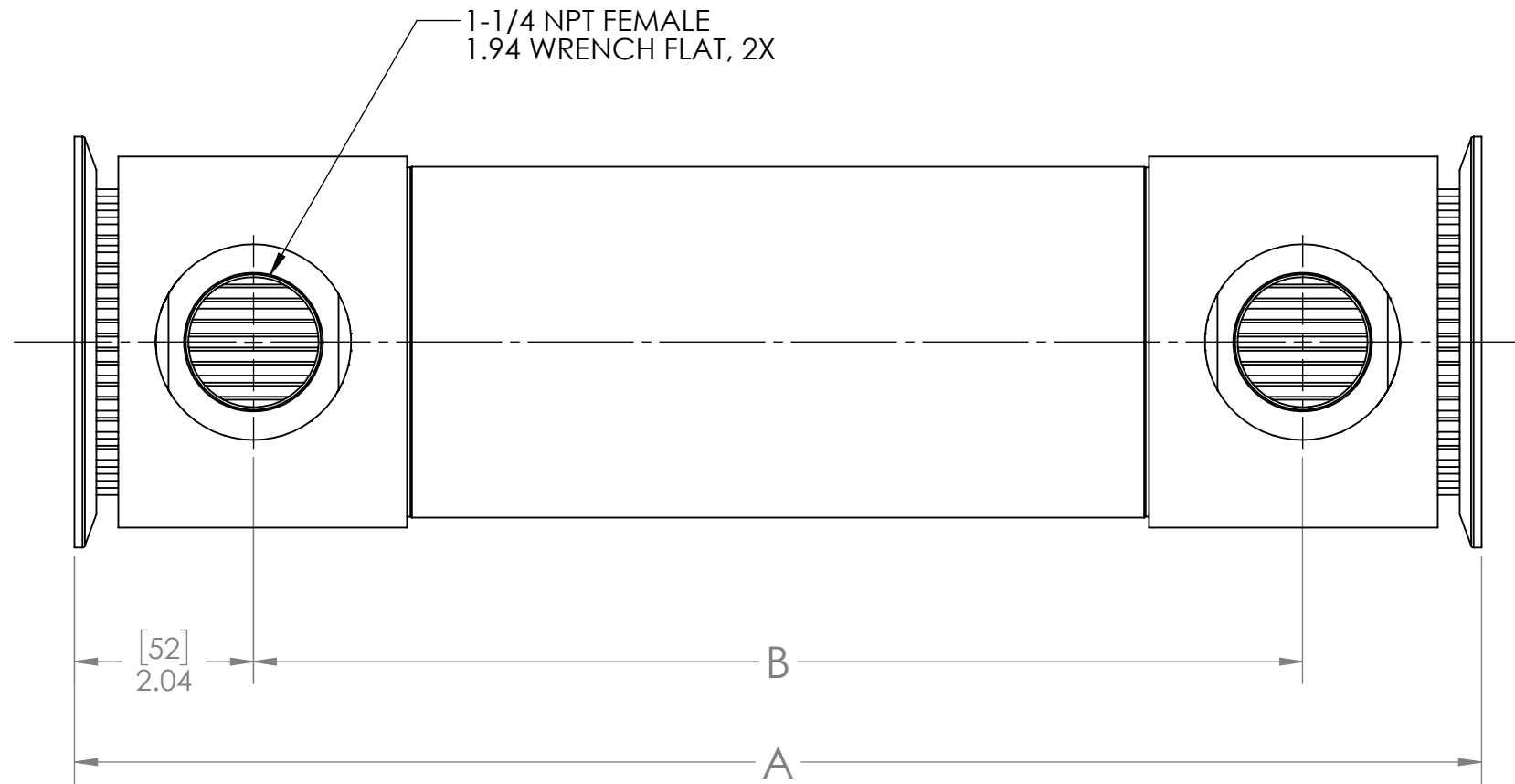
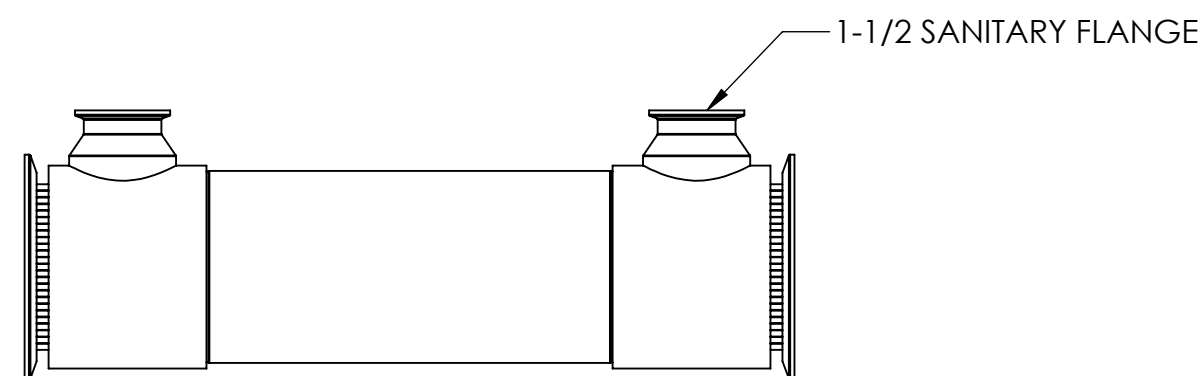


NOTES:

1. MATERIAL: 316L STAINLESS STEEL, NICKEL BRAZED.
2. PRODUCT CONTACT SURFACE FINISH CODE PER ASME-BPE:
SF1: 20 µin. (.5 µm) Ra MAX
SF4: 15 µin. (.4 µm) Ra MAX, ELECTROPOLISHED.
3. ALL EXTERNAL SURFACES SATIN FINISH.
4. MAXIMUM OPERATING CONDITIONS:
 - PRESSURE: TUBESIDE - 700 psi (48 bar)
SHELLSIDE - 375 psi (26 bar)
(REFER TO SANITARY CLAMP MANUFACTURER FOR CLAMP PRESSURE RATING)
 - TEMPERATURE: 800°F (425°C)
 - PRESSURE FOR STEAM SERVICE: 125 psi (8.6 bar)
 - FLUID TEMPERATURE DIFFERENCE:
(T_{HOT})_{AVE} - (T_{COLD})_{AVE} ≤ 125°F (70°C)
5. FULLY DRAINABLE ON TUBESIDE.
6. MATERIAL AND PROCESS CERTIFICATIONS PROVIDED.

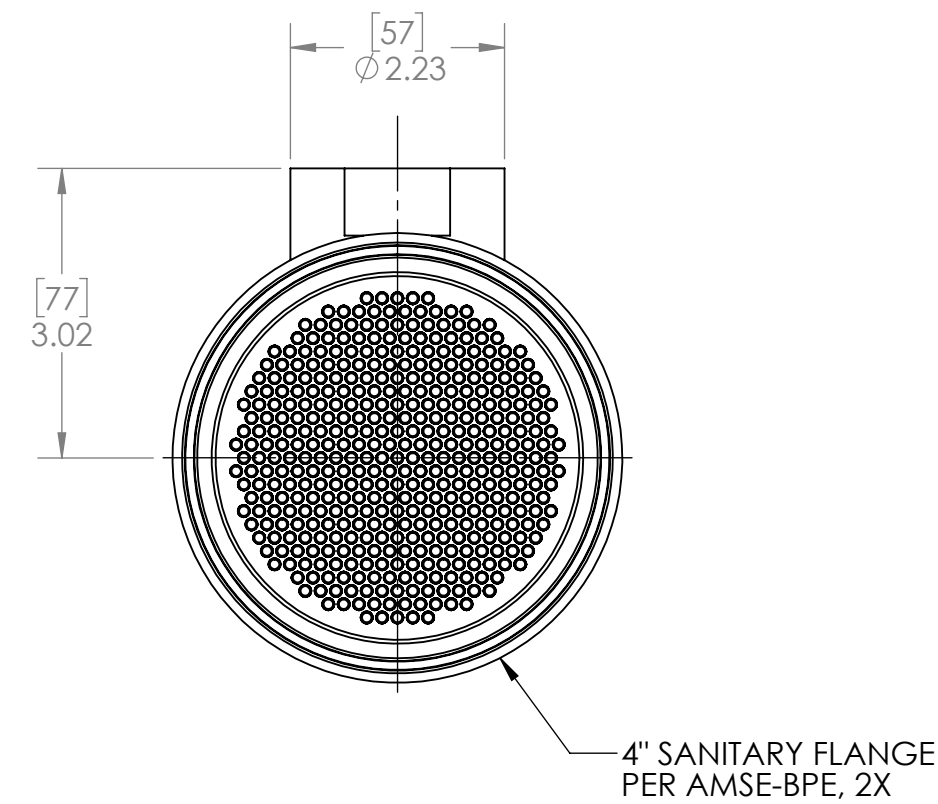


ALSO AVAILABLE



[MODEL NO. 02851 - #]

- #	TUBE COUNT	TUBE SIZE	PRODUCT CONTACT SURFACE FINISH (NOTE 2)	TUBE LENGTH		DIM A		DIM B		WEIGHT EMPTY		TRANSFER AREA	
				in	mm	in	mm	in	mm	lb	kg	ft²	m²
- 01	421	1/8" [3.2] X .012 [.32] WALL	SF4	11.00	279	11.00	279	6.96	177	16.23	7.36	10.82	1.01
- 02				16.00	406	16.00	406	11.96	304	21.09	9.56	16.57	1.54
- 03				21.00	533	21.00	533	16.96	431	25.94	11.77	22.31	2.07
- 04				26.00	660	26.00	660	21.96	558	30.79	13.97	28.05	2.61
- 05				31.00	787	31.00	787	26.96	685	35.65	16.17	33.79	3.14
- 06				11.00	279	11.00	279	6.96	177	16.23	7.36	10.82	1.01
- 07			16.00	406	16.00	406	11.96	304	21.09	9.56	16.57	1.54	
- 08			21.00	533	21.00	533	16.96	431	25.94	11.77	22.31	2.07	
- 09			26.00	660	26.00	660	21.96	558	30.79	13.97	28.05	2.61	
- 10			31.00	787	31.00	787	26.96	685	35.65	16.17	33.79	3.14	
- 11			11.00	279	11.00	279	6.96	177	16.01	7.26	6.29	0.58	
- 12			16.00	406	16.00	406	11.96	304	20.67	9.37	9.62	0.89	
- 13	21.00	533	21.00	533	16.96	431	25.32	11.49	12.95	1.20			
- 14	26.00	660	26.00	660	21.96	558	29.98	13.60	16.29	1.51			
- 15	31.00	787	31.00	787	26.96	685	34.64	15.71	19.62	1.82			
- 16	11.00	279	11.00	279	6.96	177	16.01	7.26	6.29	0.58			
- 17	16.00	406	16.00	406	11.96	304	20.67	9.37	9.62	0.89			
- 18	21.00	533	21.00	533	16.96	431	25.32	11.49	12.95	1.20			
- 19	26.00	660	26.00	660	21.96	558	29.98	13.60	16.29	1.51			
- 20	31.00	787	31.00	787	26.96	685	34.64	15.71	19.62	1.82			
- 21	11.00	279	11.00	279	6.96	177	19.04	8.64	6.22	0.58			
- 22	16.00	406	16.00	406	11.96	304	25.23	11.44	9.52	0.88			
- 23	21.00	533	21.00	533	16.96	431	31.42	14.25	12.82	1.19			
- 24	26.00	660	26.00	660	21.96	558	37.60	17.06	16.12	1.50			
- 25	31.00	787	31.00	787	26.96	685	43.79	19.86	19.42	1.80			
- 26	11.00	279	11.00	279	6.96	177	19.04	8.64	6.22	0.58			
- 27	16.00	406	16.00	406	11.96	304	25.23	11.44	9.52	0.88			
- 28	21.00	533	21.00	533	16.96	431	31.42	14.25	12.82	1.19			
- 29	26.00	660	26.00	660	21.96	558	37.60	17.06	16.12	1.50			
- 30	31.00	787	31.00	787	26.96	685	43.79	19.86	19.42	1.80			
- 31	11.00	279	11.00	279	6.96	177	14.69	6.66	3.37	0.31			
- 32	16.00	406	16.00	406	11.96	304	18.78	8.52	4.89	0.45			
- 33	21.00	533	21.00	533	16.96	431	22.87	10.37	6.40	0.59			
- 34	26.00	660	26.00	660	21.96	558	26.96	12.23	7.91	0.74			
- 35	31.00	787	31.00	787	26.96	685	31.05	14.08	9.43	0.88			
- 36	11.00	279	11.00	279	6.96	177	14.69	6.66	3.37	0.31			
- 37	16.00	406	16.00	406	11.96	304	18.78	8.52	4.89	0.45			
- 38	21.00	533	21.00	533	16.96	431	22.87	10.37	6.40	0.59			
- 39	26.00	660	26.00	660	21.96	558	26.96	12.23	7.91	0.74			
- 40	31.00	787	31.00	787	26.96	685	31.05	14.08	9.43	0.88			
- 41	421	1/8" [3.2] X .012 [.32] WALL	SF4	41.00	1041	41.00	1041	36.96	939	45.37	20.58	45.27	4.21
- 42	421	1/8" [3.2] X .012 [.32] WALL	SF1	41.00	1041	41.00	1041	36.96	939	45.37	20.58	45.27	4.21
- 43	121	1/4" [6.4] X .035 [1.9] WALL	SF4	41.00	1041	41.00	1041	36.96	939	56.13	25.46	26.02	2.42
- 44	121	1/4" [6.4] X .035 [1.9] WALL	SF1	41.00	1041	41.00	1041	36.96	939	56.13	25.46	26.02	2.42



PROPRIETARY AND CONFIDENTIAL
THE INFORMATION CONTAINED IN THIS DOCUMENT IS THE SOLE PROPERTY OF EXERGY, LLC. ANY REPRODUCTION, DISCLOSURE, OR USE, IN PART OR AS A WHOLE, WITHOUT THE WRITTEN PERMISSION OF EXERGY, LLC IS PROHIBITED.

PRODUCT SPECIFICATIONS SUBJECT TO CHANGE WITHOUT NOTICE. MANUFACTURER ASSUMES NO LIABILITY FOR MISUSE OR ABUSE OF PRODUCT. SPECIFIC WARRANTY INFORMATION IS AVAILABLE UPON REQUEST.

THIRD ANGLE PROJECTION

EXERGY
HEAT TRANSFER SOLUTIONS
320 ENDO BLVD.
GARDEN CITY, NY 11530
USA
www.exergyinc.com

**SHELL & TUBE HEAT EXCHANGER
95 SERIES SANITARY
DOUBLE TUBESHEET, 1-1/4 NPT**

MODEL NO. **02125 - #**
DATE 10/04/2017 SCALE 1:2 SHEET 1 OF 1

MODEL NO. 02125 - #