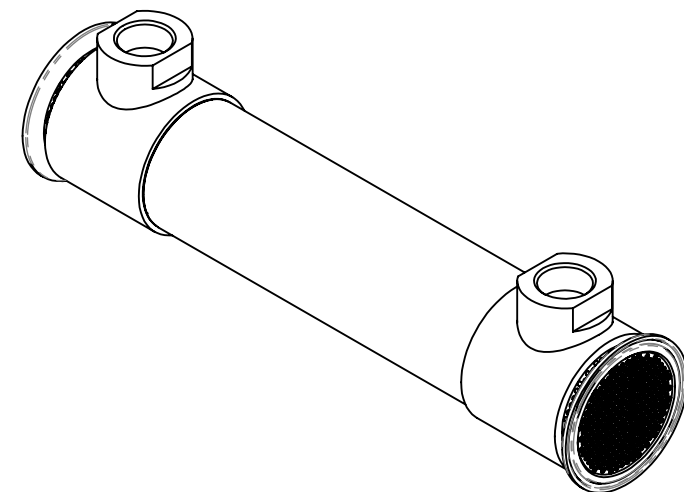
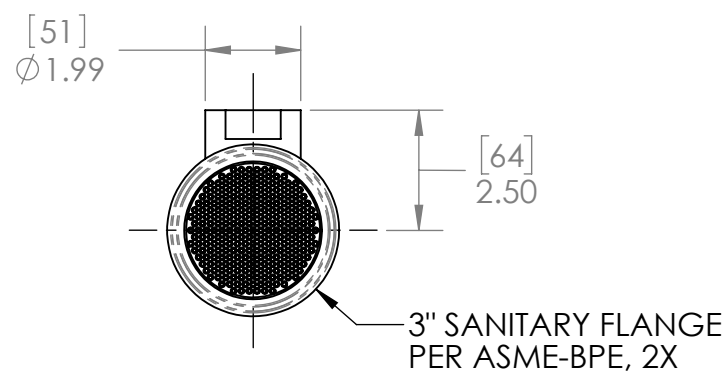
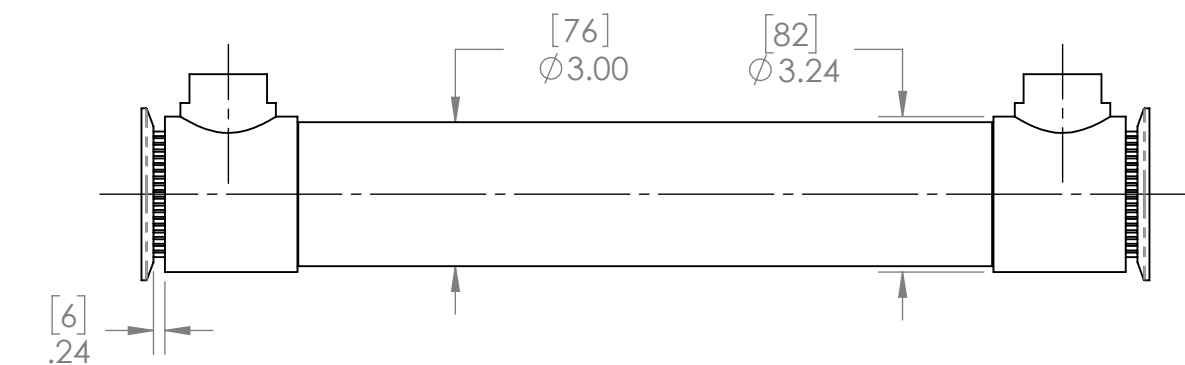
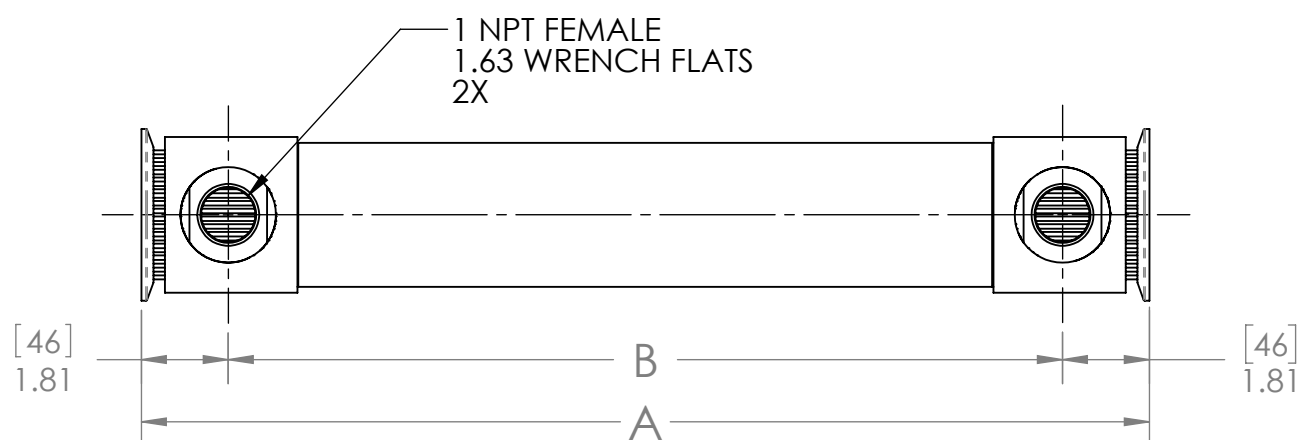
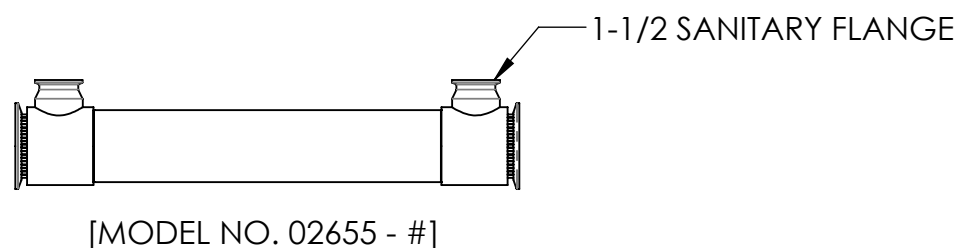


NOTES:

- MATERIAL: 316L STAINLESS STEEL, NICKEL BRAZED.
- PRODUCT CONTACT SURFACE FINISH CODE PER ASME-BPE:  
SF1: 20 μin. (.5 μm) Ra MAX  
SF4: 15 μin. (.4 μm) Ra MAX, ELECTROPOLISHED.
- ALL EXTERNAL SURFACES SATIN FINISH.
- MAXIMUM OPERATING CONDITIONS:
  - PRESSURE: TUBESIDE - 700 psi (48 bar)  
SHELLSIDE - 400 psi (28 bar)  
(REFER TO SANITARY CLAMP MANUFACTURER FOR CLAMP PRESSURE RATING)
  - TEMPERATURE: 800°F (425°C)
  - PRESSURE FOR STEAM SERVICE: 125 psi (8.6 bar)
  - FLUID TEMPERATURE DIFFERENCE:  
 $(T_{HOT})_{AVE} - (T_{COLD})_{AVE} \leq 125^{\circ}F (70^{\circ}C)$
- FULLY DRAINABLE ON TUBESIDE.
- MATERIAL AND PROCESS CERTIFICATIONS PROVIDED.



ALSO AVAILABLE



| - #  | TUBE COUNT            | TUBE LENGTH           |       | PRODUCT CONTACT SURFACE FINISH (NOTE 2) | DIM A |       | DIM B |       | WEIGHT EMPTY |       | TRANSFER AREA |       |       |      |
|------|-----------------------|-----------------------|-------|---|-------|-------|-------|-------|--------------|-------|---------------|-------|-------|------|
|      |                       | in                    | mm    |   | in    | mm    | lb    | kg    | ft²          | m²    |               |       |       |      |
| - 01 | 253<br>(.013<br>WALL) | 11.00                 | 279   | SF4                                     | 11.00 | 279   | 7.38  | 187   | 9.38         | 4.25  | 6.51          | 0.60  |       |      |
| - 02 |                       | 16.00                 | 406   |   | 16.00 | 406   | 12.38 | 314   | 11.89        | 5.39  | 9.96          | 0.93  |       |      |
| - 03 |                       | 21.00                 | 533   |   | 21.00 | 533   | 17.38 | 441   | 14.41        | 6.53  | 13.40         | 1.24  |       |      |
| - 04 |                       | 26.00                 | 660   |   | 26.00 | 660   | 22.38 | 568   | 16.92        | 7.67  | 16.85         | 1.57  |       |      |
| - 05 |                       | 31.00                 | 787   |   | 31.00 | 787   | 27.38 | 695   | 19.43        | 8.81  | 20.30         | 1.89  |       |      |
| - 06 |                       | 11.00                 | 279   |   | 11.00 | 279   | 7.38  | 187   | 7.38         | 187   | 9.38          | 4.25  | 6.51  | 0.60 |
| - 07 |                       | 16.00                 | 406   |   | 16.00 | 406   | 12.38 | 314   | 11.89        | 5.39  | 9.96          | 0.93  |       |      |
| - 08 | 253<br>(.020<br>WALL) | 21.00                 | 533   | SF1                                     | 21.00 | 533   | 17.38 | 441   | 14.41        | 6.53  | 13.40         | 1.24  |       |      |
| - 09 |                       | 26.00                 | 660   |   | 26.00 | 660   | 22.38 | 568   | 16.92        | 7.67  | 16.85         | 1.57  |       |      |
| - 10 |                       | 31.00                 | 787   |   | 31.00 | 787   | 27.38 | 695   | 19.43        | 8.81  | 20.30         | 1.89  |       |      |
| - 11 |                       | 11.00                 | 279   |   | 11.00 | 279   | 7.38  | 187   | 11.13        | 5.05  | 6.51          | 0.60  |       |      |
| - 12 |                       | 16.00                 | 406   |   | 16.00 | 406   | 12.38 | 314   | 14.44        | 6.55  | 9.96          | 0.93  |       |      |
| - 13 |                       | 21.00                 | 533   |   | 21.00 | 533   | 17.38 | 441   | 17.75        | 8.05  | 13.40         | 1.24  |       |      |
| - 14 |                       | 26.00                 | 660   |   | 26.00 | 660   | 22.38 | 568   | 21.06        | 9.55  | 16.85         | 1.57  |       |      |
| - 15 | 55 (.035<br>WALL)     | 31.00                 | 787   | SF4                                     | 31.00 | 787   | 27.38 | 695   | 24.38        | 11.06 | 20.30         | 1.89  |       |      |
| - 16 |                       | 11.00                 | 279   |   | 11.00 | 279   | 7.38  | 187   | 11.13        | 5.05  | 6.51          | 0.60  |       |      |
| - 17 |                       | 16.00                 | 406   |   | 16.00 | 406   | 12.38 | 314   | 14.44        | 6.55  | 9.96          | 0.93  |       |      |
| - 18 |                       | 21.00                 | 533   |   | 21.00 | 533   | 17.38 | 441   | 17.75        | 8.05  | 13.40         | 1.24  |       |      |
| - 19 |                       | 26.00                 | 660   |   | 26.00 | 660   | 22.38 | 568   | 21.06        | 9.55  | 16.85         | 1.57  |       |      |
| - 20 |                       | 31.00                 | 787   |   | 31.00 | 787   | 27.38 | 695   | 24.38        | 11.06 | 20.30         | 1.89  |       |      |
| - 21 |                       | 253<br>(.013<br>WALL) | 11.00 |   | 279   | SF1   | 11.00 | 279   | 7.38         | 187   | 10.23         | 4.64  | 2.83  | 0.26 |
| - 22 | 16.00                 |                       | 406   | 16.00                                   | 406   |       | 12.38 | 314   | 12.96        | 5.88  | 4.33          | 0.40  |       |      |
| - 23 | 21.00                 |                       | 533   | 21.00                                   | 533   |       | 17.38 | 441   | 15.67        | 7.11  | 5.83          | 0.54  |       |      |
| - 24 | 26.00                 |                       | 660   | 26.00                                   | 660   |       | 22.38 | 568   | 18.96        | 8.60  | 6.83          | 0.63  |       |      |
| - 25 | 31.00                 |                       | 787   | 31.00                                   | 787   |       | 27.38 | 695   | 20.67        | 9.38  | 7.83          | 0.73  |       |      |
| - 26 | 11.00                 |                       | 279   | 11.00                                   | 279   |       | 7.38  | 187   | 10.23        | 4.64  | 2.83          | 0.26  |       |      |
| - 27 | 16.00                 |                       | 406   | 16.00                                   | 406   |       | 12.38 | 314   | 12.96        | 5.88  | 4.33          | 0.40  |       |      |
| - 28 | 55 (.035<br>WALL)     | 21.00                 | 533   | SF4                                     | 21.00 | 533   | 17.38 | 441   | 15.67        | 7.11  | 5.83          | 0.54  |       |      |
| - 29 |                       | 26.00                 | 660   |   | 26.00 | 660   | 22.38 | 568   | 18.96        | 8.60  | 6.83          | 0.63  |       |      |
| - 30 |                       | 31.00                 | 787   |   | 31.00 | 787   | 27.38 | 695   | 20.67        | 9.38  | 7.83          | 0.73  |       |      |
| - 31 |                       | 253<br>(.013<br>WALL) | 41.00 |   | 1041  | SF4   | 41.00 | 1041  | 37.38        | 949   | 24.45         | 11.09 | 28.28 | 2.63 |
| - 32 | 41.00                 | 1041                  | SF1   | 41.00                                   | 1041  | 37.38 | 949   | 24.45 | 11.09        | 28.28 | 2.63          |       |       |      |

ALL DIMENSIONS ARE IN INCHES [mm]

**PROPRIETARY AND CONFIDENTIAL**  
THE INFORMATION CONTAINED IN THIS DOCUMENT IS THE SOLE PROPERTY OF EXERGY, LLC. ANY REPRODUCTION, DISCLOSURE, OR USE, IN PART OR AS A WHOLE, WITHOUT THE WRITTEN PERMISSION OF EXERGY, LLC IS PROHIBITED.

PRODUCT SPECIFICATIONS SUBJECT TO CHANGE WITHOUT NOTICE. MANUFACTURER ASSUMES NO LIABILITY FOR MISUSE OR ABUSE OF PRODUCT. SPECIFIC WARRANTY INFORMATION IS AVAILABLE UPON REQUEST.

THIRD ANGLE PROJECTION



320 ENDO BLVD.  
GARDEN CITY, NY 11530  
USA (516)832-9300  
www.exergyllc.com

**SHELL & TUBE HEAT EXCHANGER  
73 SERIES SANITARY  
DOUBLE TUBESHEET, 1" NPT**

MODEL NO. **02626 - #**

DATE 1/18/2018 SCALE 1:4 SHEET 1 OF 1

MODEL NO.

02626 - #